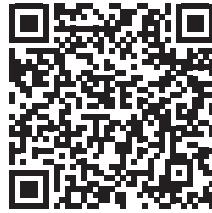


## Rotex-V Kal. 5.56/.223



Further Information

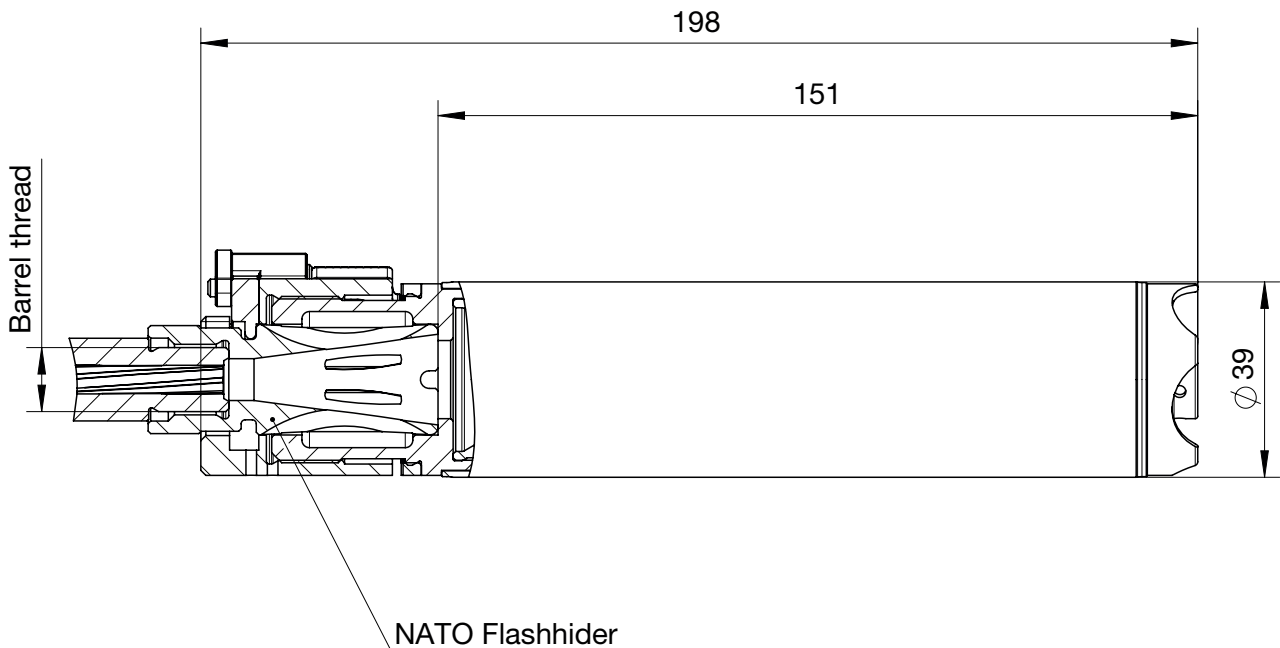


- Quick release mount Compatible with NATO standard flashhider
- 30dB A noise reduction
- Thermax/Inconel baffles

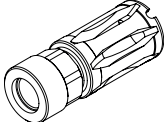
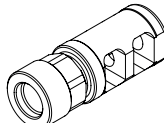
### Technical Data

Description	Rotex-V® Kal. 5.56/.223
Manufacturer	B&T AG - Switzerland
Article-No.	SD-988059
Interface	Quick release NATO standard flashhider
Calibre	5.56x45/.223 Remington
Length	198 mm
Length past barrel	151 mm
Tube Diameter	39 mm
Weight	~680 g
Material	Thermax, inconel, Steel, Stainless steel
Colour	Black/Grey - Cerakote coating on request
Surface treatment	Teniferiert QPQ treatment, sandblasted
Sound reduction	~ 30dB A
Service Life	min. 5.000 rounds
Full auto capable	Yes
Ambient temperature for use	-45°C...70°C

## Dimensions



## Accessories

Description	Caliber	Thread	Article-No.	Picture
Flashhider NATO	5.56mm/.223 Rem.	1/2"-28 UNEF	SD-121869	
		M15x1	SD-12828	
		M14x1 left	SD-121891	
Compensator NATO	5.56mm/.223 Rem.	1/2"-28 UNEF	SD-122780	

Different Threads available on request.

All rights reserved. Data is provided for the purpose of product description only, and must not be construed as warranted characteristics in the legal sense. The information does not relieve users from the duty of conducting their own evaluations and tests. Because the products are subject to continual improvement, we reserve the right to amend the product specifications contained in this data sheet.