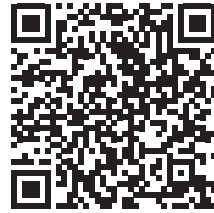
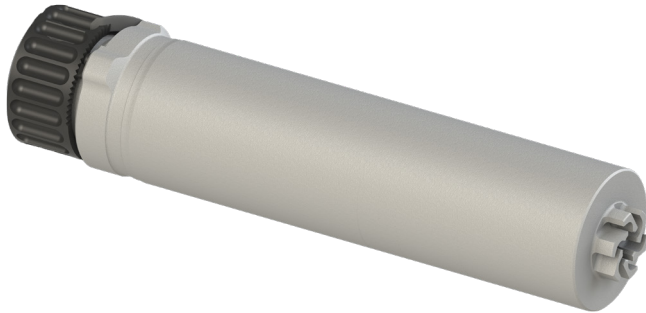


## Rotex-IIA® SureFire® Kal. 5.56/.223



Further Information

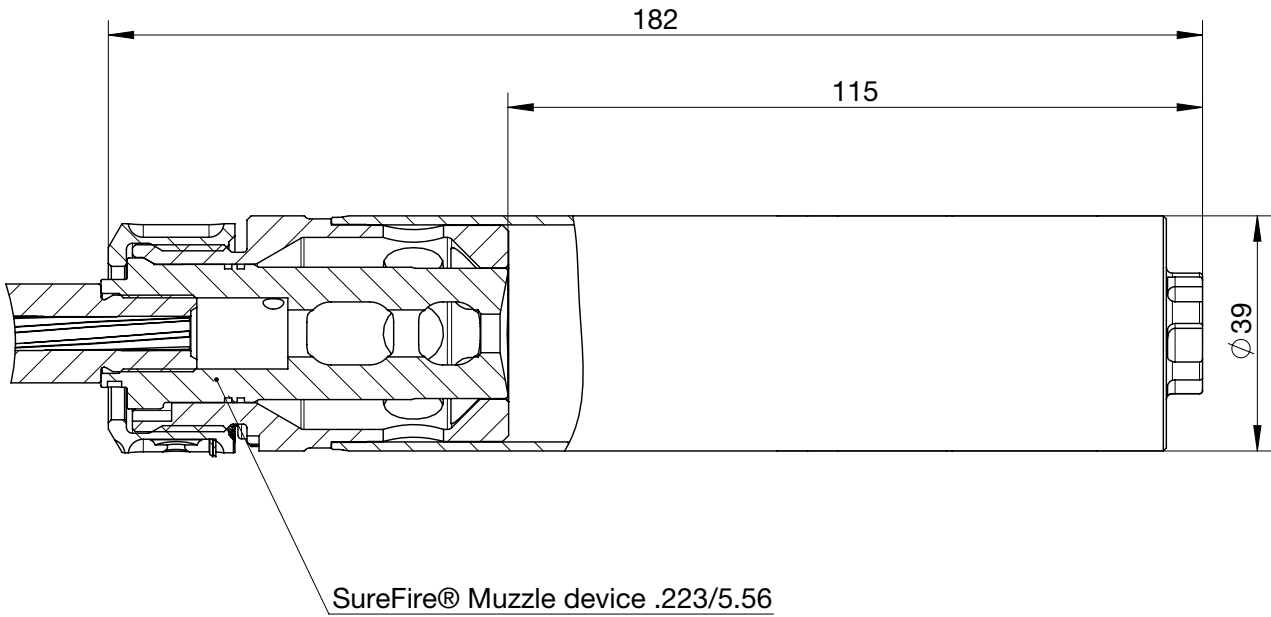


- Quick release mount compatible with SureFire® Muzzle devices
- 33dB A noise reduction
- Thermax/Inconel baffles

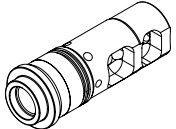
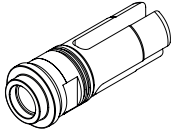
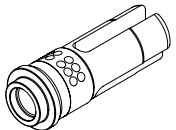
### Technical Data

| Description                 | Rotex-IIA® Kal. 5.56/.223 SureFire®      |
|-----------------------------|--|
| Manufacturer                | B&T AG - Switzerland                     |
| Article-No.                 | SD-123604                                |
| Interface                   | Quick release SureFire® Muzzle devices   |
| Calibre                     | 5.56x45/.223 Remington                   |
| Length                      | 182 mm                                   |
| Length past barrel          | 115 mm                                   |
| Tube Diameter               | 39 mm                                    |
| Weight                      | ~465 g                                   |
| Material                    | Steel, Stainless steel                   |
| Colour                      | Black/Grey - Cerakote coating on request |
| Surface treatment           | Teniferiert QPQ treatment, sandblasted   |
| Sound reduction             | ~ 33dB A                                 |
| Service Life                | min. 5.000 rounds                        |
| Full auto capable           | Yes                                      |
| Ambient temperature for use | -45°C...70°C                             |

## Dimensions



## Compatible SureFire® muzzle devices

| Description  | Type        | Picture   |
|--------------|-------------|---|
| Muzzle brake | SFMB-556    |  |
| Flash hider  | SF3P-556    |  |
| Warcomp      | Warcomp-556 |  |

All rights reserved. Data is provided for the purpose of product description only, and must not be construed as warranted characteristics in the legal sense. The information does not relieve users from the duty of conducting their own evaluations and tests. Because the products are subject to continual improvement, we reserve the right to amend the product specifications contained in this data sheet.