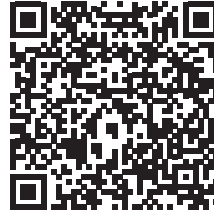
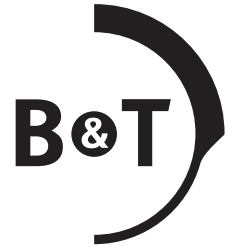


Rotex-IIA® Micro Kal. .300 BLK



Further information

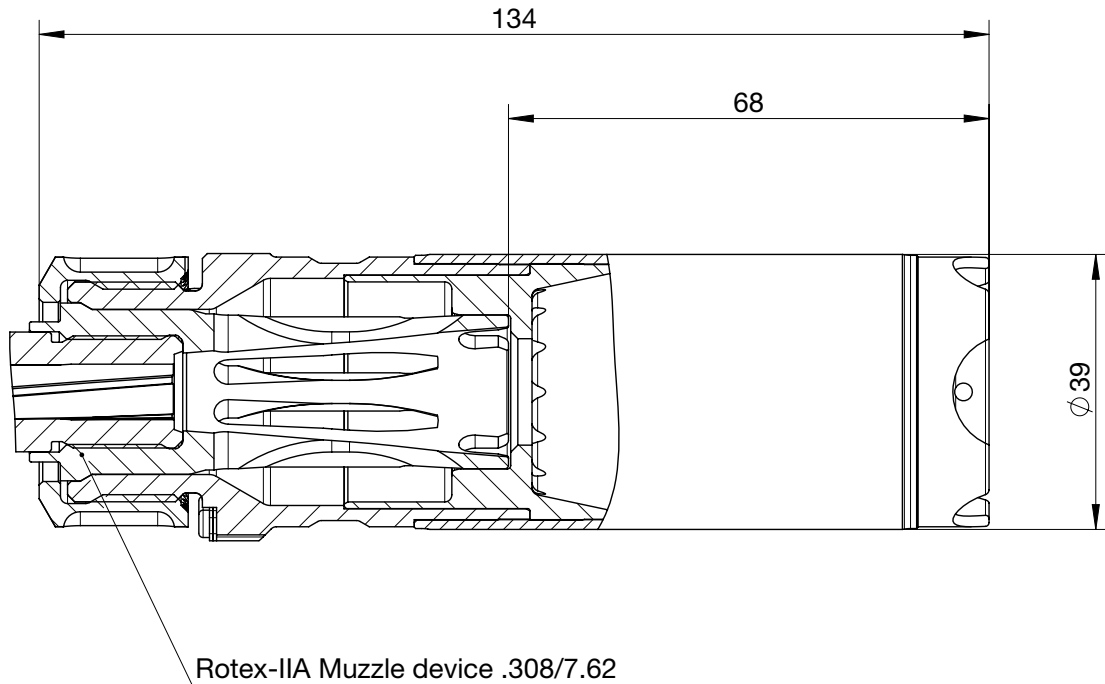


- Quick release mount compatible with Rotex -IIA® Muzzle devices
- 14 dB A noise reduction
- Thermax/Inconel baffles

Technical Data

Description		Rotex-IIA® Micro Kal. .300 BLK
Manufacturer		B&T AG - Switzerland
Article-No.		SD-122962
Interface		Quick release Rotex-IIA® Muzzle devices
Calibre		.300 BLK / 7.62x35
Length		134 mm
Length past barrel		86 mm
Tube Diameter		39 mm
Weight		~490 g
Material		Steel, Stainless steel
Colour		Black/Grey - Cerakote coating on request
Surface treatment		Teniferiert QPQ treatment, sandblasted
Sound reduction	at Muzzle	12 dB A supersonic cartridge
		8 dB A subsonic cartridge
	at shooters Ear	14 dB A supersonic cartridge
		13 dB A subsonic cartridge
Service Life		min. 5.000 rounds (Semi auto fire)
Full auto capable		Yes
Ambient temperature for use		-45°C...70°C

Dimensions



Accessories

Description	Caliber	Thread	Article-No.	Picture
Flashhider Rotex-IIA®	7.62mm/.300	5/8"-24 UNEF	BT-36466	
		5/8"-24 UNEF (FN SCAR)	SD-121690	
		M15x1	SD-121689	
		M15x1 (HK MR308)	SD-122718	
Compensator / Muzzle Brake Rotex-IIA®	7.62mm/.300	M15x1	SD-122021	
		M14x1 left (AK47)	SD-121955	

Different Threads available on request.

All rights reserved. Data is provided for the purpose of product description only, and must not be construed as warranted characteristics in the legal sense. The information does not relieve users from the duty of conducting their own evaluations and tests. Because the products are subject to continual improvement, we reserve the right to amend the product specifications contained in this data sheet.