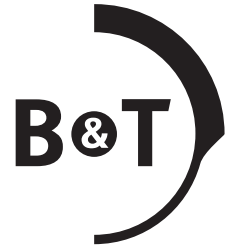


Rotex-X Compact Kal. 5.56/.223



Further information

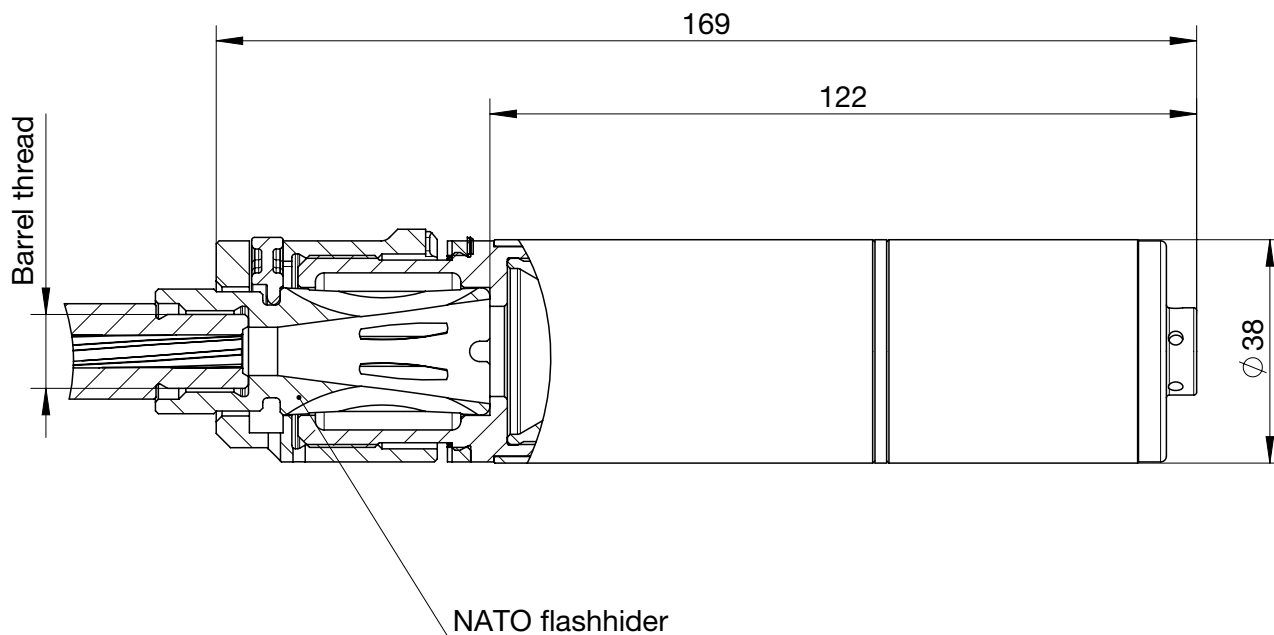


- Kal. 5.56/.223
- Quick release mount Compatible with NATO standard flashhider
- 28dB A noise reduction

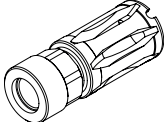
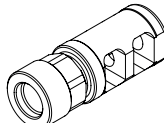
Technical Data

| Description | Rotex-X® Compact Kal. 5.56/.223 |
|-----------------------------|--|
| Manufacturer | B&T AG - Switzerland |
| Article-No. | SD-122979 |
| Interface | Quick release NATO standard flashhider |
| Calibre | 5.56x45/.223 Remington |
| Length | 169 mm |
| Length past barrel | 122 mm |
| Tube Diameter | 39 mm |
| Weight | ~510 g |
| Material | Steel, Stainless steel |
| Colour | Black/Grey - Cerakote coating on request |
| Surface treatment | Teniferiert QPQ treatment, sandblasted |
| Sound reduction | ~ 28dB A |
| Service Life | min. 5.000 rounds |
| Full auto capable | Yes |
| Ambient temperature for use | -45°C...70°C |

Dimensions



Accessories

| Description | Caliber | Thread | Article-No. | Picture |
|------------------|------------------|--------------|-------------|---|
| Flashhider NATO | 5.56mm/.223 Rem. | 1/2"-28 UNEF | SD-121869 |  |
| | | M15x1 | SD-12828 | |
| | | M14x1 left | SD-121891 | |
| Compensator NATO | 5.56mm/.223 Rem. | 1/2"-28 UNEF | SD-122780 |  |

Different Threads available on request.

All rights reserved. Data is provided for the purpose of product description only, and must not be construed as warranted characteristics in the legal sense. The information does not relieve users from the duty of conducting their own evaluations and tests. Because the products are subject to continual improvement, we reserve the right to amend the product specifications contained in this data sheet.