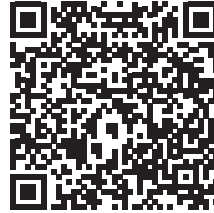
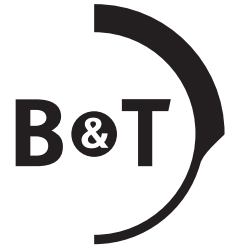


Rotex-X Kal. 7.62/.308



Further information

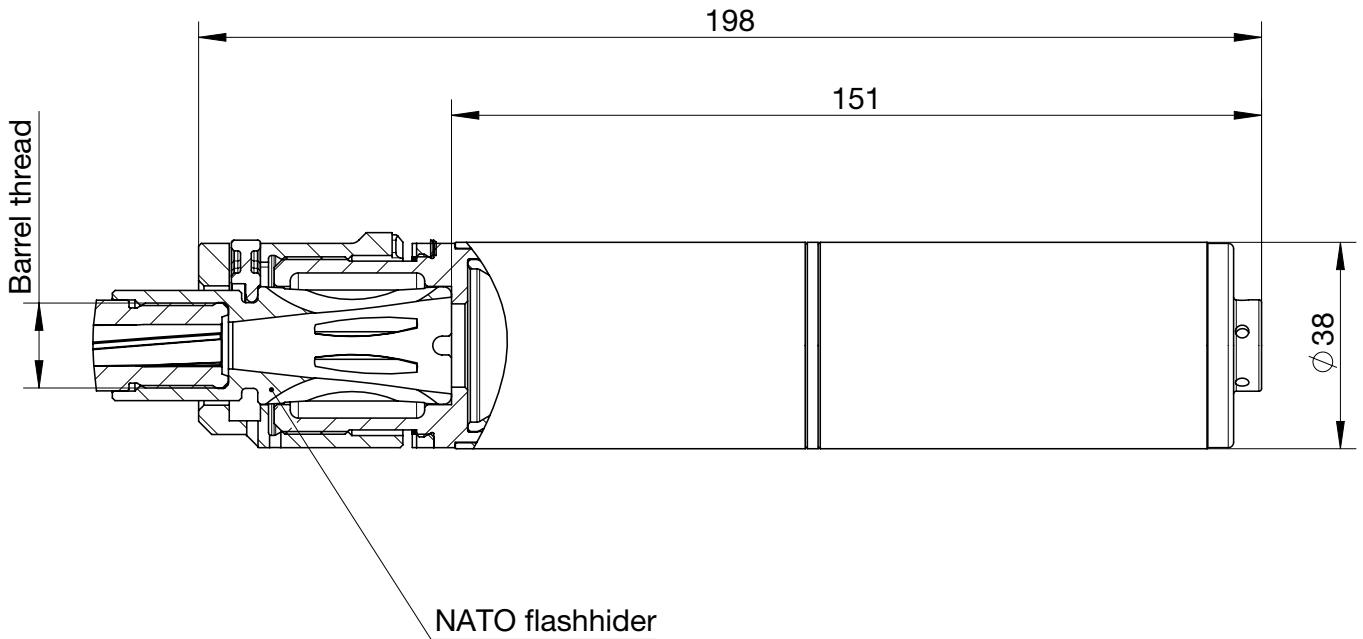


- Kal. 7.62/.308
- Quick release mount Compatible with NATO standard flashhider
- 25dB A noise reduction

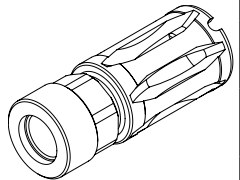
Technical Data

Description	Rotex-X® Kal. 7.62/.308
Manufacturer	B&T AG - Switzerland
Article-No.	SD-123033
Interface	Quick release NATO standard flashhider
Calibre	7.62x51/.308 Winchester
Length	198 mm
Length past barrel	151 mm
Tube Diameter	38 mm
Weight	~570 g
Material	Steel, Stainless steel
Colour	Black/Grey - Cerakote coating on request
Surface treatment	Teniferiert QPQ treatment, sandblasted
Sound reduction	~ 25dB A
Service Life	min. 5.000 rounds
Full auto capable	Yes
Ambient temperature for use	-45°C...70°C

Dimensions



Accessories

Description	Caliber	Thread	Article-No.	Picture
Flashhider NATO	7.62mm/.308 Win. 5.56mm/.223 Rem.	1/2"-28 UNEF	SD-121869	
		5/8"-24 UNEF	SD-122678	
		M15x1	SD-12828	
		M14x1 left	SD-121891	

Other thread sizes available, specify gun & thread to be used when ordering

All rights reserved. Data is provided for the purpose of product description only, and must not be construed as warranted characteristics in the legal sense. The information does not relieve users from the duty of conducting their own evaluations and tests. Because the products are subject to continual improvement, we reserve the right to amend the product specifications contained in this data sheet.