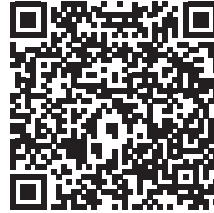
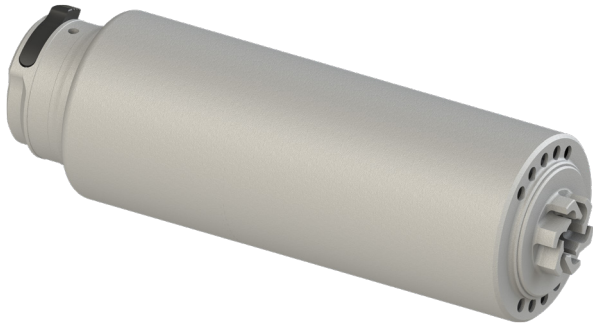
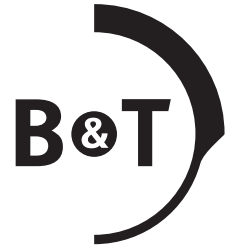


RBS QDM Kal. .300 BLK



Further information

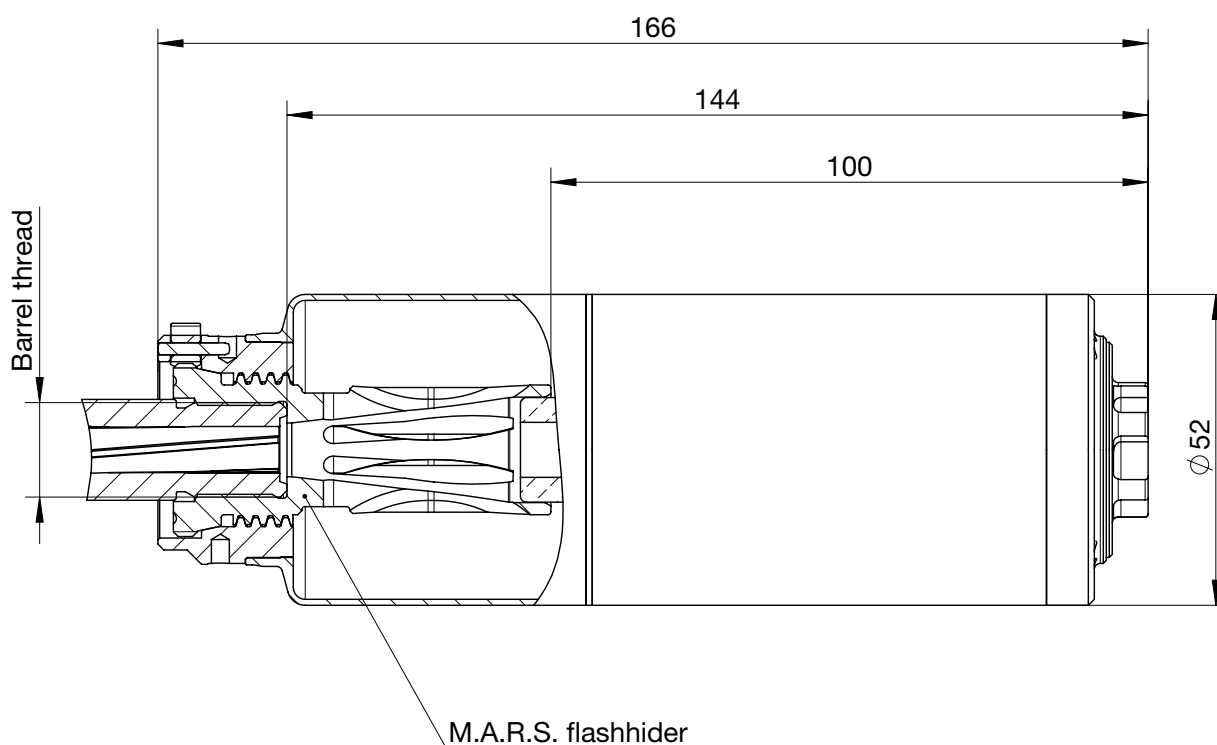


- Quick release mount Compatible with M.A.R.S. flashhider
- 19dB A noise reduction
- Thermax/Inconel Baffles

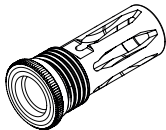
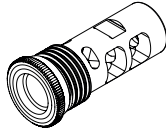
Technical Data

Description	RBS QDM .300 BLK
Manufacturer	B&T AG - Switzerland
Article-No.	SD-123475
Interface	Quick release M.A.R.S. Interface
Calibre	7.62x35/.300 Blackout
Length	166mm
Length past barrel	100mm
Tube Diameter	52 mm
Weight	~475g
Material	Steel, Stainless steel
Colour	Black/Grey - Cerakote coating on request
Surface treatment	Teniferiert QPQ treatment, sandblasted
Sound reduction	~ 19dB A Supersonic Cartridges. ~ 19dB A Subsonic Cartridges.
Increase in rate of fire	~ 6%
Service Life	min. 5.000 rounds
Full auto capable	Yes
Ambient temperature for use	-45°C...70°C

Dimensions



Accessories

Description	Caliber	Thread	Article-No.	Picture
Flashhider M.A.R.S.	7.62mm/.300	5/8"-24 UNEF	SD-123051	
		M15x1	SD-122421	
Compensator M.A.R.S.	7.62mm/.300	5/8"-24 UNEF	SD-123055	
		M15x1	SD-122903	

Different Threads available on request.

All rights reserved. Data is provided for the purpose of product description only, and must not be construed as warranted characteristics in the legal sense. The information does not relieve users from the duty of conducting their own evaluations and tests. Because the products are subject to continual improvement, we reserve the right to amend the product specifications contained in this data sheet.