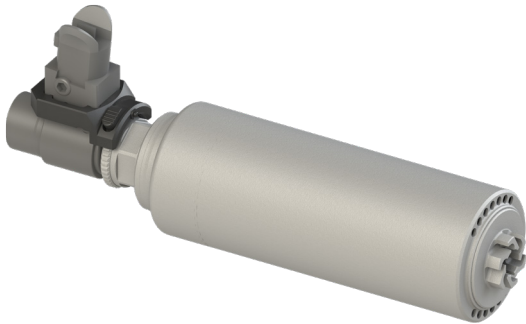
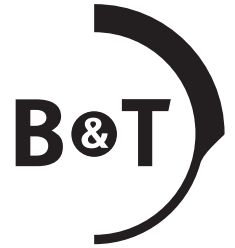


## RBS DM FN MAG® Kal. 7.62/.308



Further information

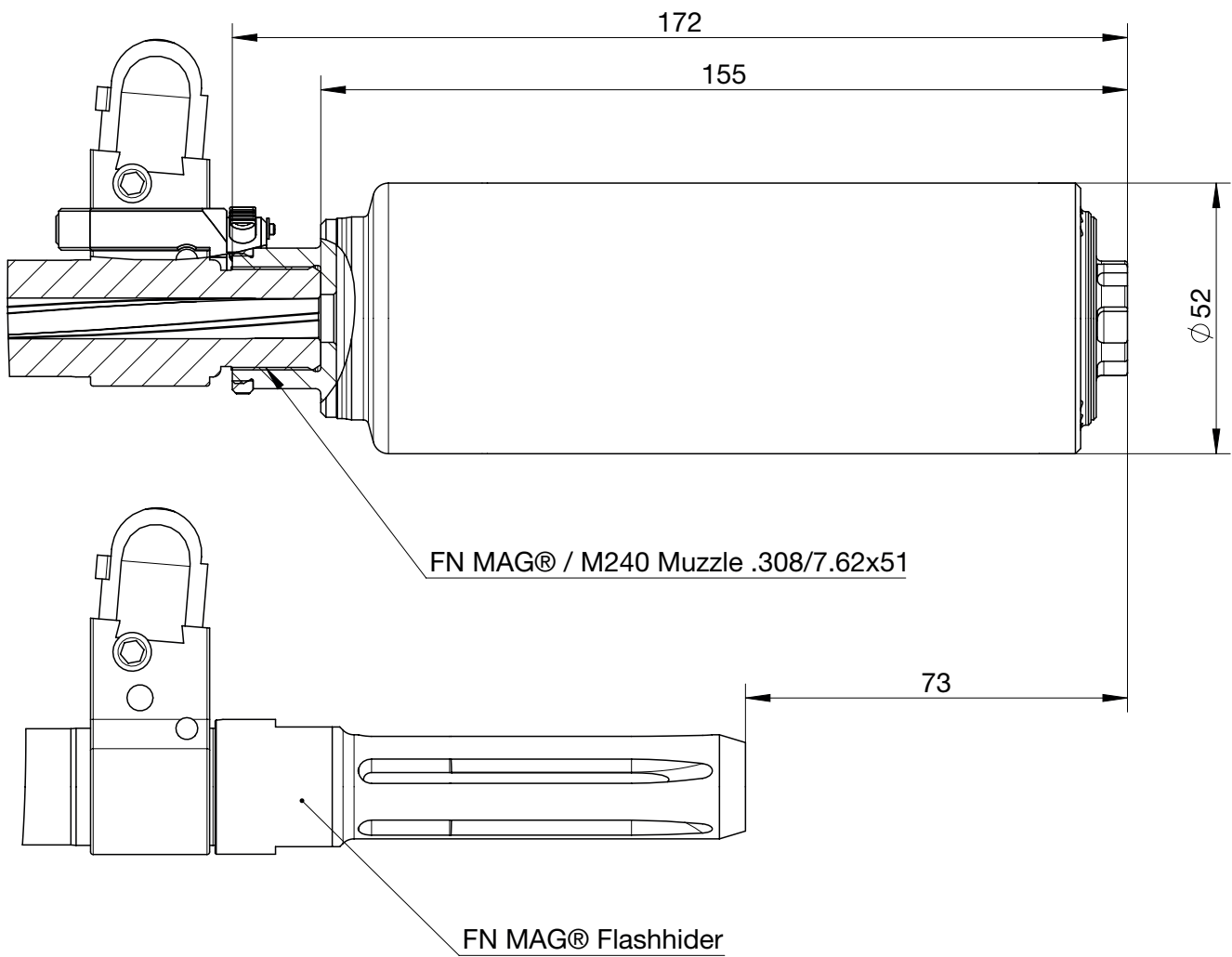


- Direct Mount compatible with FN MAG®
- 20dB A noise reduction
- Thermax/Inconel Baffles
- Special retainer for easy and secure mounting

### Technical Data

| Description                     | RBS DM FN MAG®                           |
|---------------------------------|--|
| Manufacturer                    | B&T AG - Switzerland                     |
| Article-No.                     | SD-123680                                |
| Interface                       | Direct mount to FN MAG® Barrel           |
| Calibre                         | 7.62x51/.308 Win.                        |
| Length                          | 172mm                                    |
| Length past barrel              | 155mm                                    |
| Length past original Flashhider | 73mm                                     |
| Tube Diameter                   | 52mm                                     |
| Weight                          | ~520g                                    |
| Material                        | Steel, Stainless steel                   |
| Colour                          | Black/Grey - Cerakote coating on request |
| Surface treatment               | Teniferiert QPQ treatment, sandblasted   |
| Sound reduction                 | ~ 20dB A                                 |
| Service Life                    | min. 5.000 rounds                        |
| Full auto capable               | Yes                                      |
| Ambient temperature for use     | -45°C...70°C                             |

## Dimensions



All rights reserved. Data is provided for the purpose of product description only, and must not be construed as warranted characteristics in the legal sense. The information does not relieve users from the duty of conducting their own evaluations and tests. Because the products are subject to continual improvement, we reserve the right to amend the product specifications contained in this data sheet.