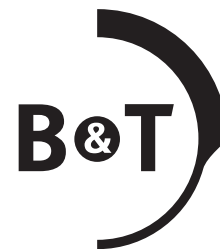


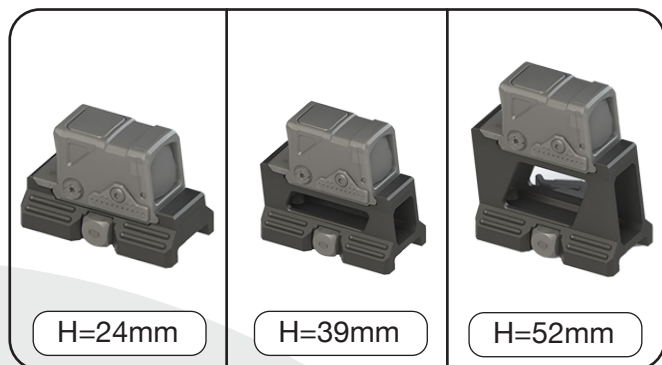
Data sheet



More mountings



Mounting Aimpoint® COA H=24mm/H=39mm/H=52mm



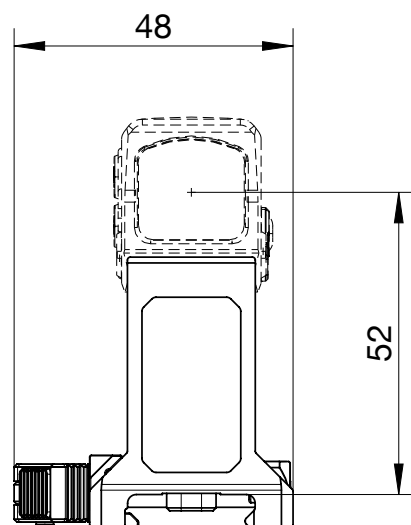
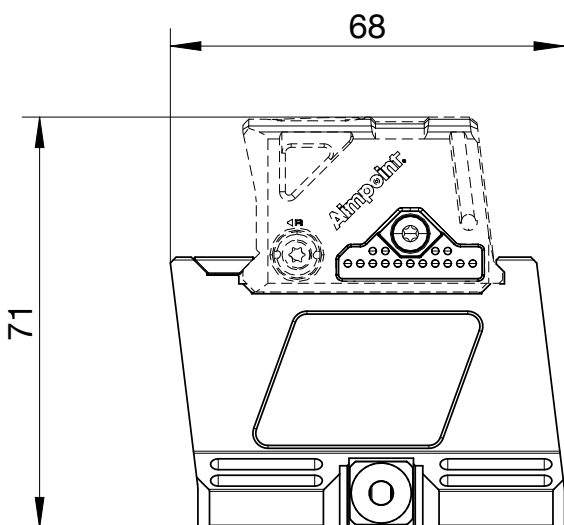
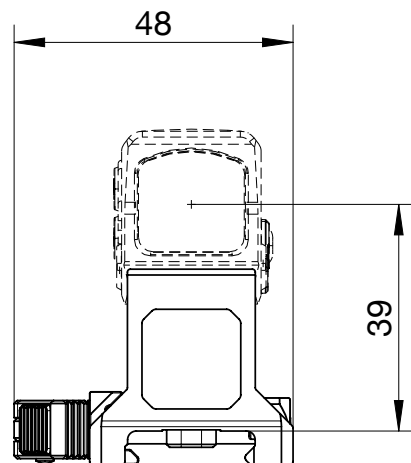
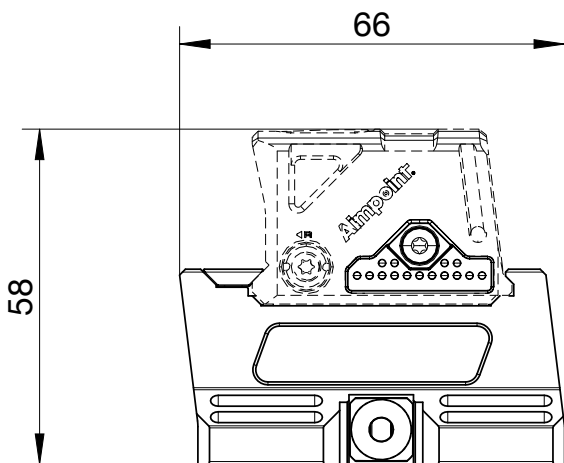
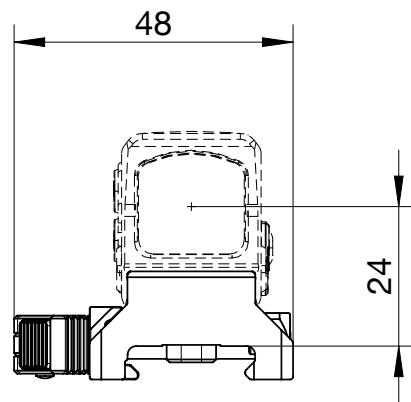
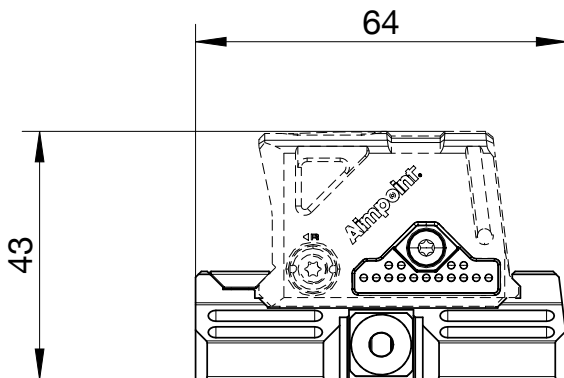
- For Aimpoint® COA mount
- 3 different heights

Technical data

Designation	Mounting Aimpoint® COA		
	H=24mm	H=39mm	H=52mm
Manufacturer	B&T AG, Switzerland		
Product ID	BT-212756	BT-212758	BT-212765
Interfaces	MIL-STD-1913 Picatinny/NATO rail		
Mounting interface	Quick detachable Fixed mount included in the scope of delivery		
Length	64mm	66mm	68mm
Height	24mm	39mm	52mm
Width	48mm		
Weight	~84 g	~91 g	~97 g
Material	Stainless steel, aluminum		
Color	Black		
Surface treatment	Teniferated QPQ		

ATTENTION! Reflex sight included in the scope of delivery, must be ordered separately

Dimensions



All rights reserved. The data provided are solely for the purpose of product description and are not to be understood as warranted properties in the legal sense. The information does not release the user from his own assessments and tests. Due to continuous product improvements, the product specifications contained in this data sheet are subject to change.