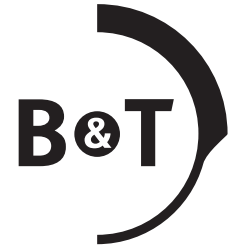
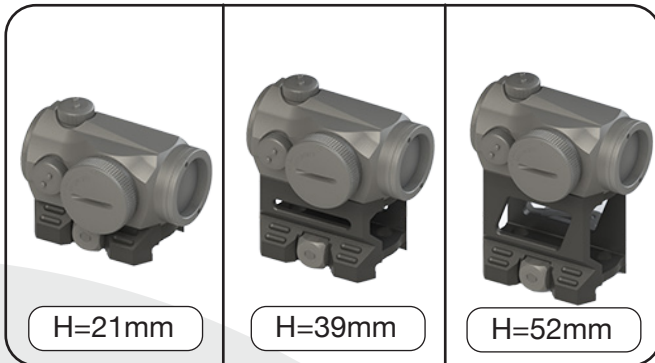


Data sheet



Mounting Aimpoint® Micro T-1 H=21mm/H=39mm/H=52mm



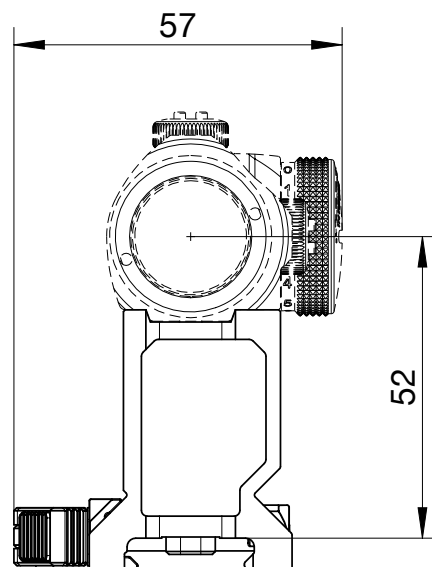
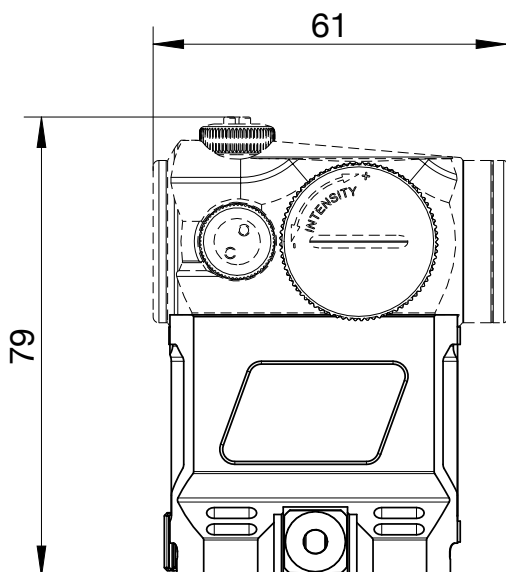
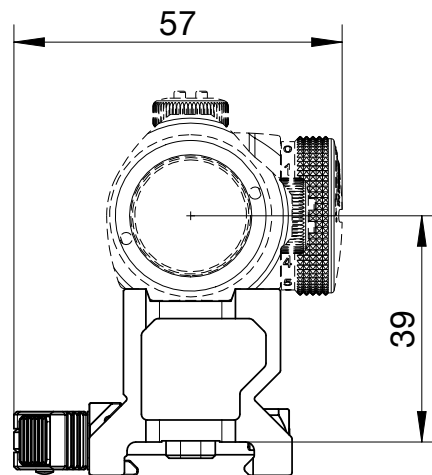
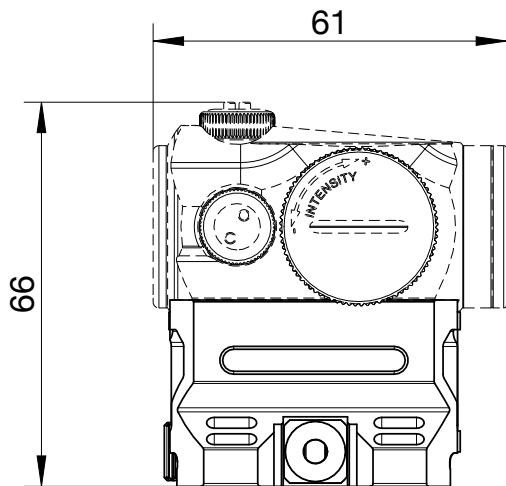
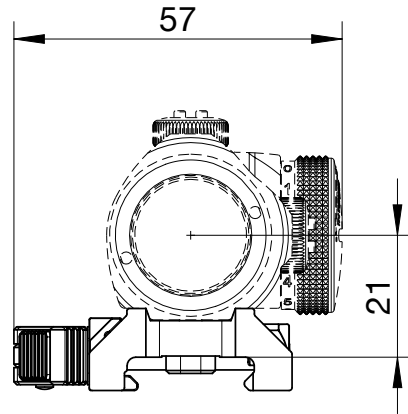
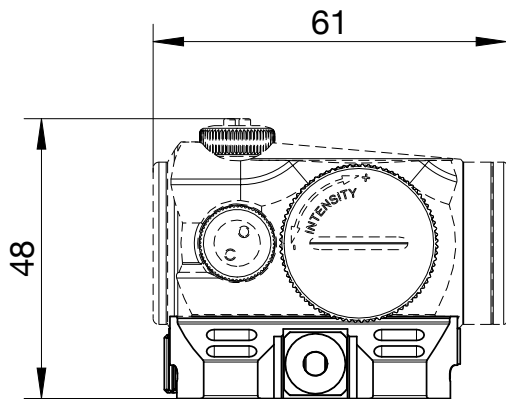
- For Aimpoint® Micro T-1 mount
- 3 different heights

Technical data

| Designation | Mounting Aimpoint® Micro T-1 | | |
|--------------------|---|-----------|-----------|
| | H=21mm | H=39mm | H=52mm |
| Manufacturer | B&T AG, Switzerland | | |
| Product ID | BT-212778 | BT-212771 | BT-212773 |
| Interfaces | MIL-STD-1913 Picatinny/NATO rail | | |
| Mounting interface | Quick detachable Fixed mount included in the scope of delivery | | |
| Length | 61mm | | |
| Height | 21mm | 39mm | 52mm |
| Width | 57mm | | |
| Weight | ~65 g | ~78 g | ~82 g |
| Material | Stainless steel, aluminum | | |
| Color | Black | | |
| Surface treatment | Teniferated QPQ | | |

ATTENTION! Reflex sight not included in the scope of delivery, must be ordered separately

Dimensions



All rights reserved. The data provided are solely for the purpose of product description and are not to be understood as warranted properties in the legal sense. The information does not release the user from his own assessments and tests. Due to continuous product improvements, the product specifications contained in this data sheet are subject to change.