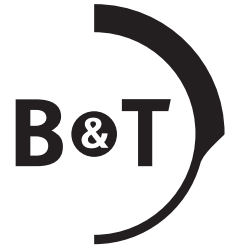
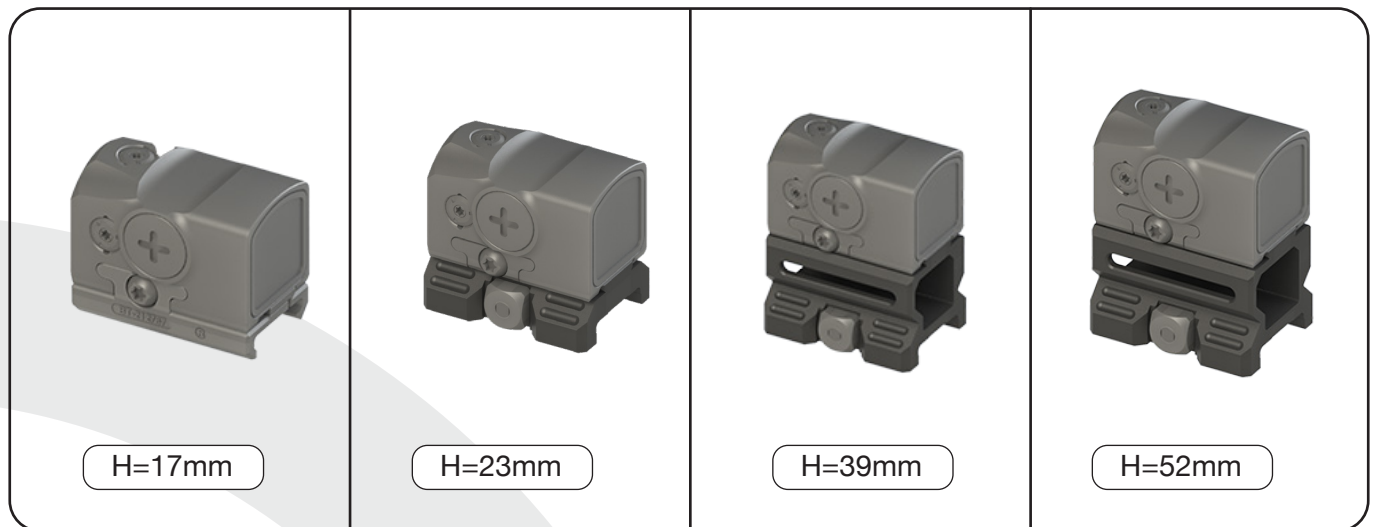


# Data sheet



## Mounting Aimpoint® ACRO H=17mm/H=23mm/ H=39mm/H=52mm

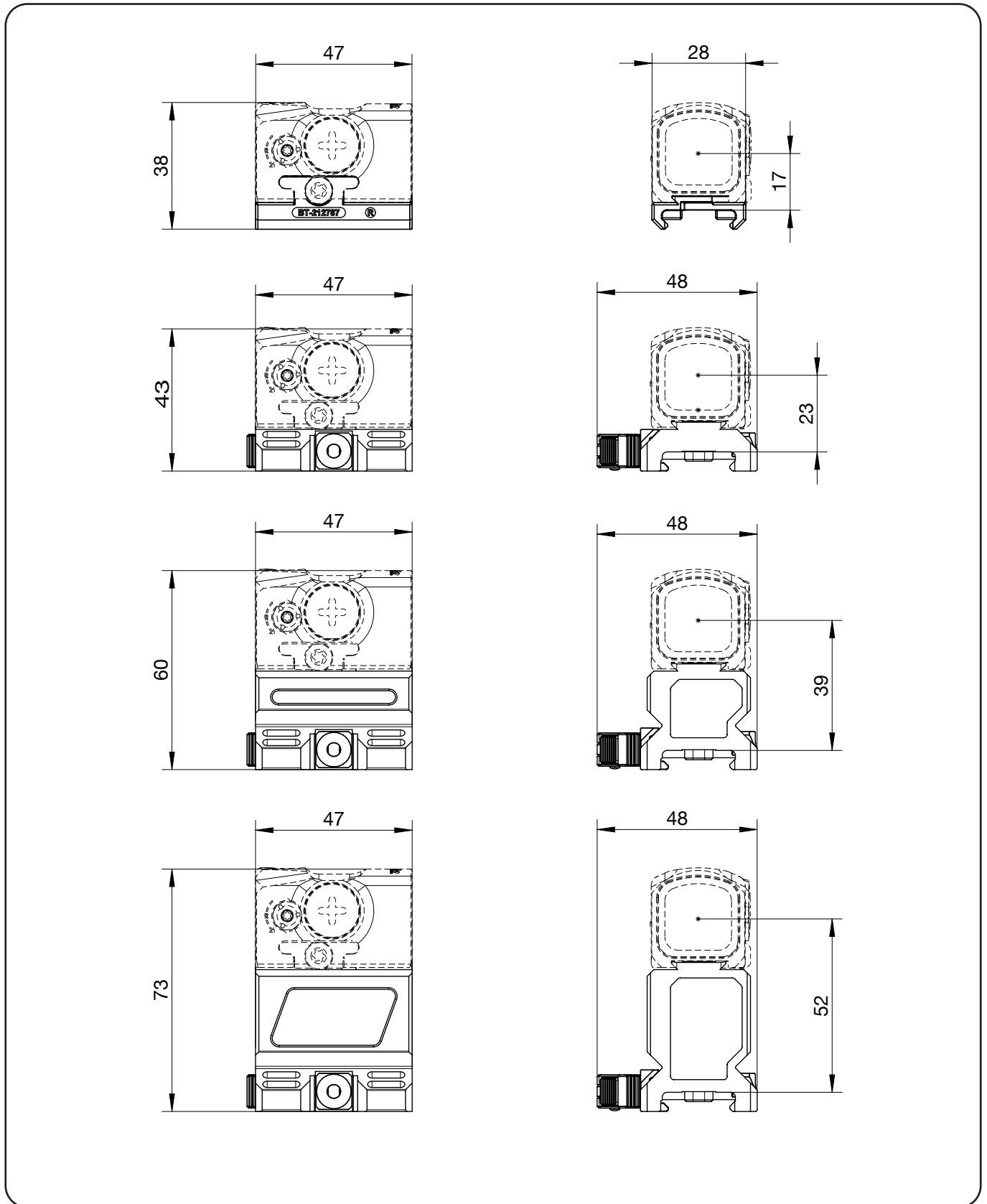


### Technical data

Designation	Mounting Aimpoint® ACRO			
	H=17mm	H=23mm	H=39mm	H=52mm
Manufacturer	B&T AG, Switzerland			
Product ID	BT-212787	BT-212776	BT-212767	BT-212769
Interfaces	MIL-STD-1913 Picatinny/NATO-rail			
Mounting interface	Quick detachable Fixed mount included in the scope of delivery			
Length	47 mm			
Height	17 mm	23 mm	39 mm	52 mm
Width	28 mm	48 mm		
Weight	~38 g	~67 g	~81 g	~85 g
Material	Stainless steel, aluminum			
Color	Black			
Surface treatment	Teniferated QPQ			

ATTENTION! Reflex sight not included in the scope of delivery, must be ordered separately.

## Dimensions



All rights reserved. The data provided are solely for the purpose of product description and are not to be understood as warranted properties in the legal sense. The information does not release the user from his own assessments and tests. Due to continuous product improvements, the product specifications contained in this data sheet are subject to change.