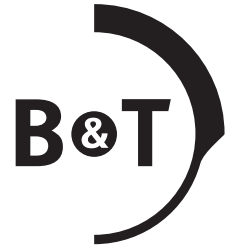


Data sheet



More mountings



Aimpoint® mount COA 45° right/left



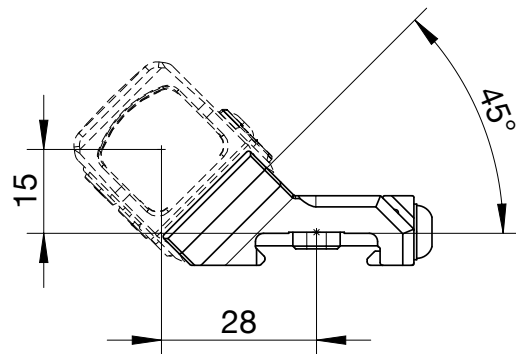
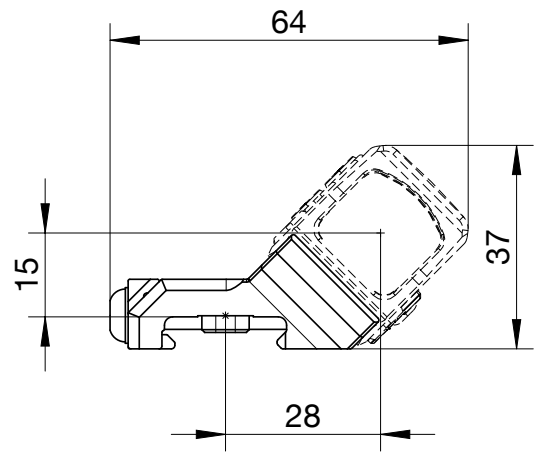
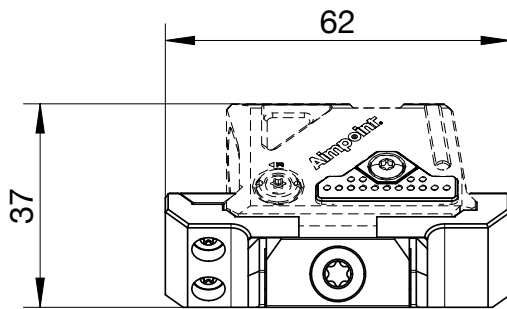
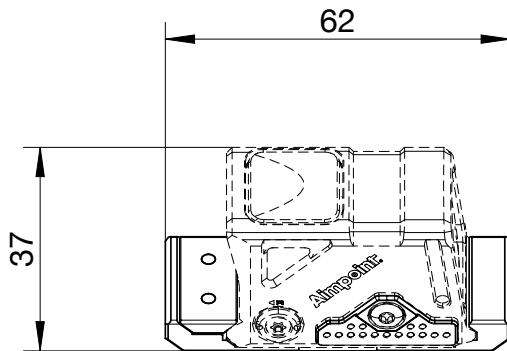
- For Aimpoint® COA
- Left and right version available

Technical data

Designation	Aimpoint® mount COA 45°	
	right	left
Manufacturer	B&T AG, Switzerland	
Product ID	BT-212789	BT-212791
Interfaces	MIL-STD-1913 Picatinny/NATO-rail	
Mounting interface	Quick detachable Fixed mount included in the scope of delivery	
Length	62 mm	
Height	15 mm	
Width	64 mm	
Weight	~54 g	
Material	Stainless steel, aluminum	
Color	Black	
Surface treatment	Teniferated QPQ	

ATTENTION! Reflex sight not included in the scope of delivery, must be ordered separately.

Dimensions



All rights reserved. The data provided are solely for the purpose of product description and are not to be understood as warranted properties in the legal sense. The information does not release the user from his own assessments and tests. Due to continuous product improvements, the product specifications contained in this data sheet are subject to change.