

Rotex-V FN SCAR Kal. 7.62/.308

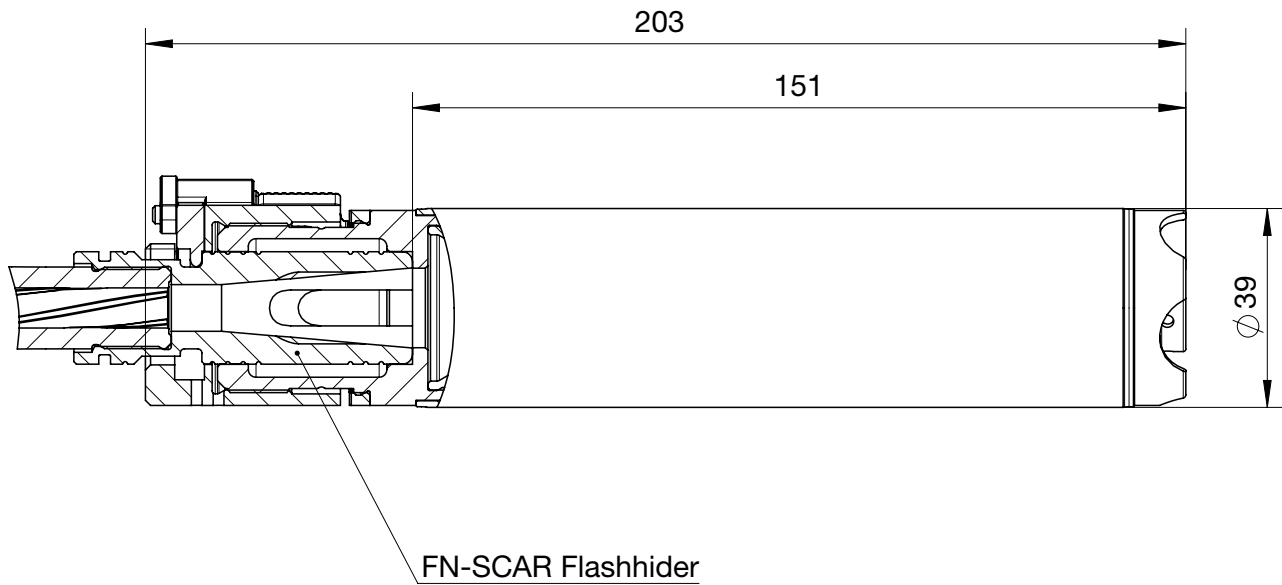


- Quick release mount compatible with FN SCAR flashhider
- 25dB A sound reduction
- Thermax/Inconel baffles

Technical Data

Description	Rotex-V® Kal. 7.62/.308 FN SCAR
Manufacturer	B&T AG - Switzerland
Article-No.	SD-988351
Interface	Quick release FN SCAR flashhider
Calibre	7.62x51/.308 Winchester
Length	203 mm
Length past barrel	151 mm
Tube diameter	39 mm
Weight	~700 g
Material	Thermax, Inconel, Steel, Stainless steel
Colour	Black/Grey - Cerakote coating on request
Surface treatment	Teniferiert QPQ treatment, sandblasted
Sound reduction	~ 25dB A
Service Life	min. 5.000 rounds
Full auto capable	Yes
Ambient temperature for use	-45°C...70°C

Dimensions



All rights reserved. Data is provided for the purpose of product description only, and must not be construed as warranted characteristics in the legal sense. The information does not relieve users from the duty of conducting their own evaluations and tests. Because the products are subject to continual improvement, we reserve the right to amend the product specifications contained in this data sheet.