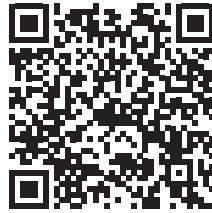
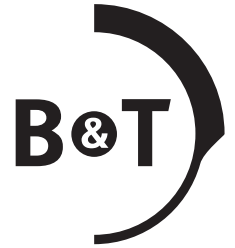


Rotex-LMX Kal. 4.6 mm x 30



Weitere Infos zum Produkt

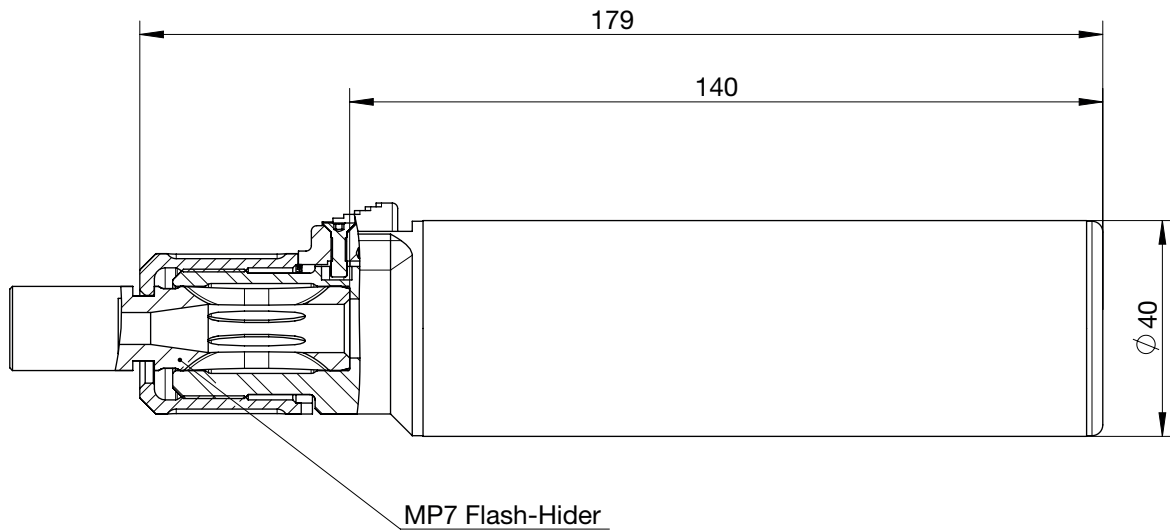


- With QD - locking mechanism
- Kal. 4.6 mm x 30
- Fits on HK MP7
- 37dB A Sound-Reduction

Technical Data

Description	Rotex-LMX
Manufacturer	B&T AG - Switzerland
Article-No.	SD-123198
Interface	MP7 QD - locking mechanism
Caliber	4.6mm x 30
Length	179 mm
Length above the barrel	140 mm
Tube Diameter	40 mm
Weight	340 g
Material	Aluminium, Stahl
Colour	Black / Cerakote coating on request
Surface treatment	Hard-Anodised Tenifer-QPQ treatment
Sound reduction	~37 dB A
Life span	min. 5.000 Rounds
Full auto capable	Yes
Ambient temperature for use	-45°C...70°C

Dimensions



All rights reserved. Data is provided for the purpose of product description only, and must not be construed as warranted characteristics in the legal sense. The information does not relieve users from the duty of conducting their own evaluations and tests. Because the products are subject to continual improvement, we reserve the right to amend the product specifications contained in this data sheet.