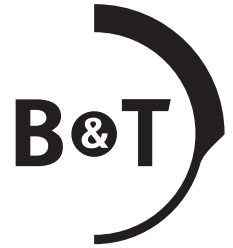


Data sheet



Aimpoint® mount COA 40° For Armalite AR15 right/left



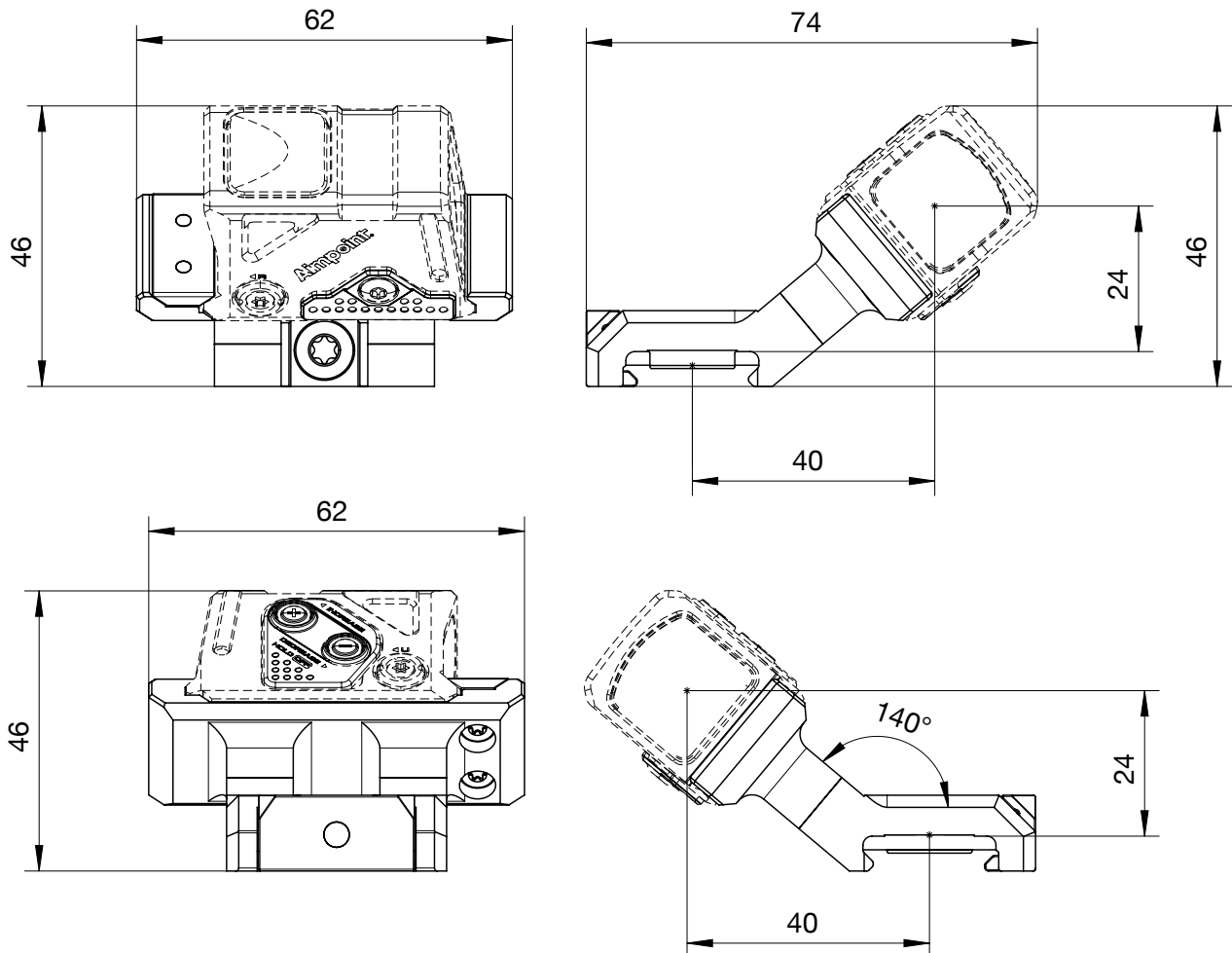
- For Aimpoint® COA
- Reversible mount

Technical data

Designation	Aimpoint® mount COA 40°	
Manufacturer	B&T AG, Switzerland	
Product ID	BT-212812	
Interfaces	MIL-STD-1913 Picatinny/NATO rail	
Clamping system	QD system Fixed mounting included in delivery scope	
Length	62 mm	
Height	24 mm	
Width	74 mm	
Weight	Without Aimpoint® COA	~65 g
	With Aimpoint® COA	~113 g
Material	Stainless steel, aluminum	
Color	Black	
Surface treatment	Teniferated QPQ	

ATTENTION! Target device not included in the scope of delivery, must be ordered separately

Dimensions



All rights reserved. The data provided are solely for the purpose of product description and are not to be understood as warranted properties in the legal sense. The information does not release the user from his own assessments and tests. Due to continuous product improvements, the product specifications contained in this data sheet are subject to change.