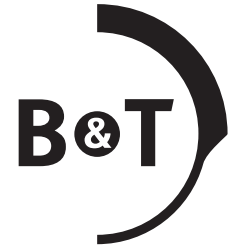


Data sheet



Side2Side Mount H=39mm for Aimpoint® Magnifier & ACRO



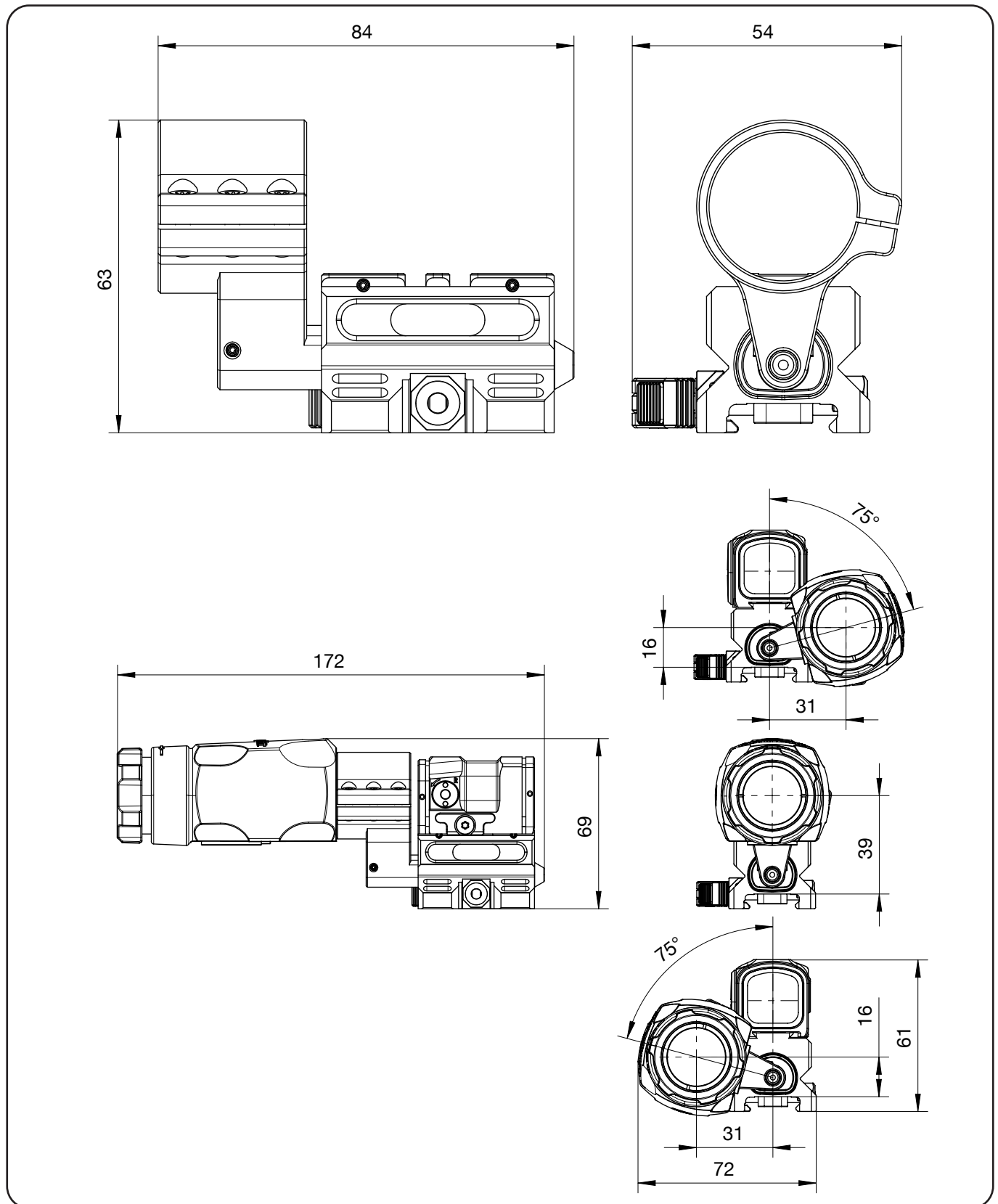
- For Aimpoint® Magnifier and ACRO
- Reversible mount

Technical data

Designation		Side2Side Mount for Aimpoint® Magnifier 3X & 6X
Manufacturer		B&T AG - Switzerland
Product ID		BT-212910
Interfaces		MIL-STD-1913 Picatinny/NATO rail
Clamping system		Quick release mount Fixed mount included in the scope of delivery
Length	Without Magnifier	84mm
	With Magnifier	172mm
Height	Without Magnifier	63mm
	With Magnifier	69mm
Width		54mm
Weight	Without Magnifier	132g
	With Magnifier and ACRO	435g
Material		Aluminum, stainless steel
Color		Black - Cerakote coating on request
Surface treatment		Anodized, Tenifered QPQ

ATTENTION! Target device not included in the scope of delivery, must be ordered separately.

Dimensions



All rights reserved. The data provided are solely for the purpose of product description and are not to be understood as warranted properties in the legal sense. The information does not release the user from his own assessments and tests. Due to continuous product improvements, the product specifications contained in this data sheet are subject to change.