

KH9 S

DATA SHEET



B&T AG
3608 Thun • Switzerland
Tel +41 33 334 67 00
info@bt-ag.ch
www.bt-ag.ch

1. Technical specifications

1.1 Overview - KH9 S



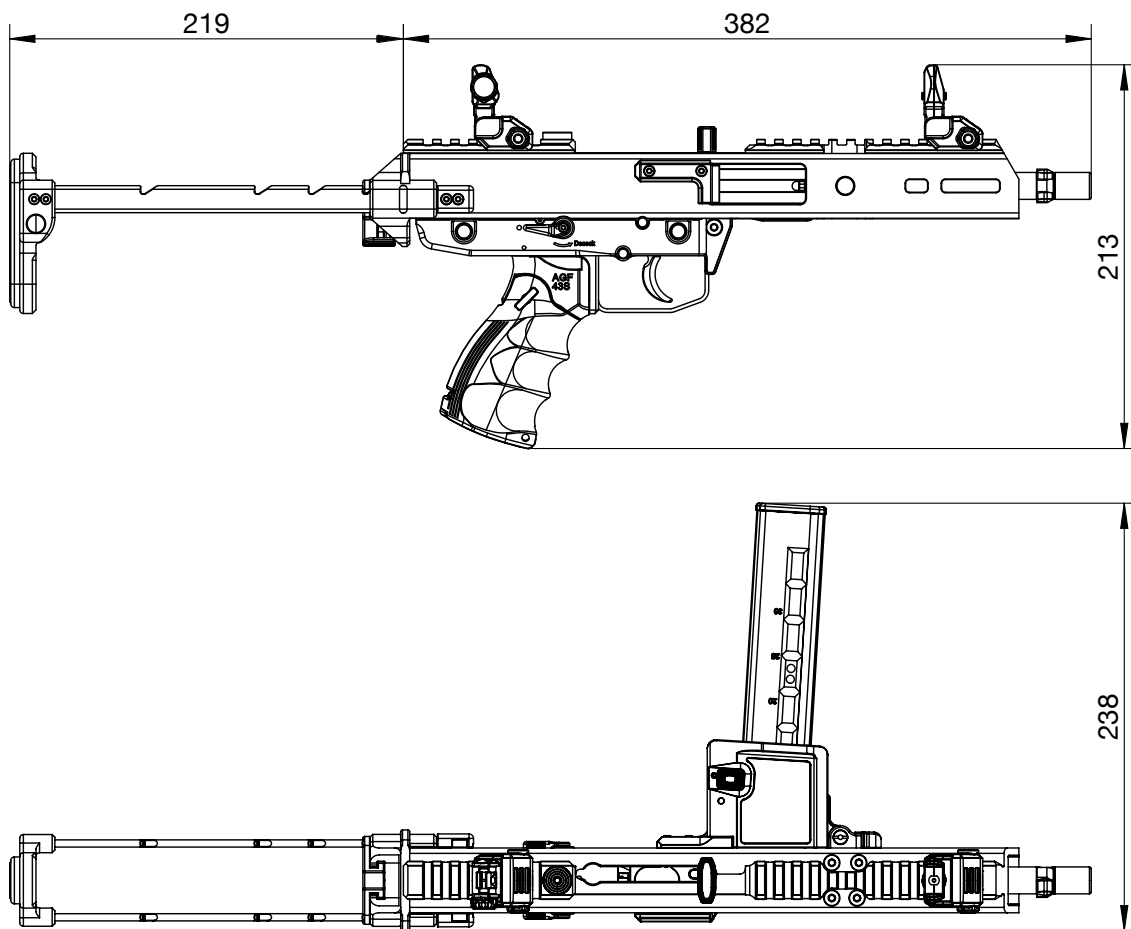
1.2 General description

The KH9 S is a blow-back operated semi-automatic carbine of closed bolt design in cal. 9x19. The trigger is of single action/double action type acting on a linear hammer. The weapon features a manual safety, a decocking lever and an automatic drop safety. The magazine well and the pistol grip are foldable and stock is of a telescopic design, so the weapon can be transported in a very small package. The weapon includes a shortened B&T MP9/APC9 magazine to use the maximal length and not extending the barrel when folded, and all the B&T MP9/APC9 magazines are compatible. Other features are the flip-up sights on top accessory rails. There are M-Lok slots on 3, 6 and 9 o'clock on the handguard. There is a three-lug-interface on the muzzle to accept suppressors.

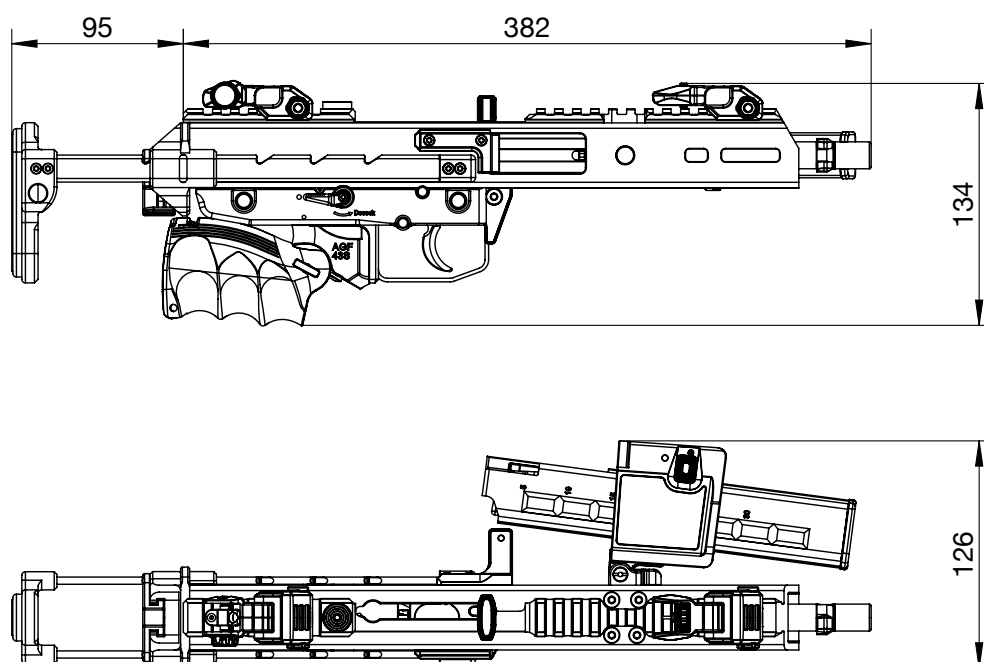
1.3 Technical data

Designation		KH9 S
Manufacturer		B&T AG - Switzerland
Product ID		BT-440300-S
Caliber		9x19
Magazine capacity		25 rounds
System		Closed bolt blowback action
Barrel length [mm]		153
Twist rate [mm per turn]		254
Rifling		6 grooves, right hand
Overall length [mm]	Stock extracted	601
	Stock folded	477
Overall width [mm]	Stock extracted	238
	Stock folded	126
Overall height [mm]	Stock extracted	213
	Stock folded	134
Weight [kg]		2.8 (with empty magazine)
Interfaces		Top NATO accessory rail, M-Lok, three-lug-muzzle
Standard supply		Weapon complete with one magazine, side charging handle, carrying sling and softcase.

1.3.1 Dimensions stock extracted



1.3.2 Dimensions stock folded



2. Accessories


2.1 Suppressors

Pos.	Art.-No.	Type	Description
	SD-123377	APC9/KH9	Suppressor RBS SQD™
	SD-123378	APC9/KH9	Suppressor RBS SQD™ Compact
	SD-988100	APC9/KH9	Suppressor QD™
	SD-988100-C	APC9/KH9	Suppressor Compact QD™


2.2 Magazines

Pos.	Art.-No.	Type	Description
	BT-30183 BT-30298 BT-30296 BT-30209	APC9/KH9	Magazine 30 rounds Magazine 25 rounds Magazine 20 rounds Magazine 15 rounds
	BT-300696	APC9/KH9	B&T bumper pad for magazine PRO
	BT-300698	APC9/KH9	B&T magazine upgrade kit with rubber bumper for old B&T magazines
	BT-231229	APC9/KH9	Magazine loader
	BT-22379	APC9/KH9	Magazine clamp

2.3 Flashlights

Pos.	Art.-No.	Description
	BT-WMLX-B-W-L-GEN3	B&T Weapon Mounted Light GEN-3

2.4 Flash hider

Pos.	Art.-No.	Description
	BT-400983	Flashhider Vortex QD

2.5 Maintenance

Picture	Art.-No.	Type	Description
	SC-99B/6		Cleaning rod extension
	SC-TR/P_9_M5	APC9	Cleaning kit

All rights reserved. Data is provided for the purpose of product description only, and must not be construed as warranted characteristics in the legal sense. The information does not relieve users from the duty of conducting their own evaluations and tests. Because the products are subject to continual improvement, we reserve the right to amend the product specifications contained in this data sheet.