

TELESCOPIC STOCK MP5 & MP5K

OPERATOR MANUAL



B&T AG
3608 Thun • Switzerland
Tel +41 33 334 67 00
info@bt-ag.ch
www.bt-ag.ch

Note



The weapon shown here may not be identical with your weapon. However, the installation is analogous.

EYE PROTECTION MUST BE WORN!



SAFETY GOGGLES MUST BE WORN WHEN DISASSEMBLING AND REASSEMBLING THE GUN. PARTS CAN GET INTO THE EYES IF HANDLED INCORRECTLY.

EAR PROTECTION MUST BE WORN!



SUITABLE HEARING PROTECTION MUST ALWAYS BE WORN WHEN SHOOTING WITH A FIREARM.

Definition

Left / right side: Defined looking in firing direction.

Table of Contents:

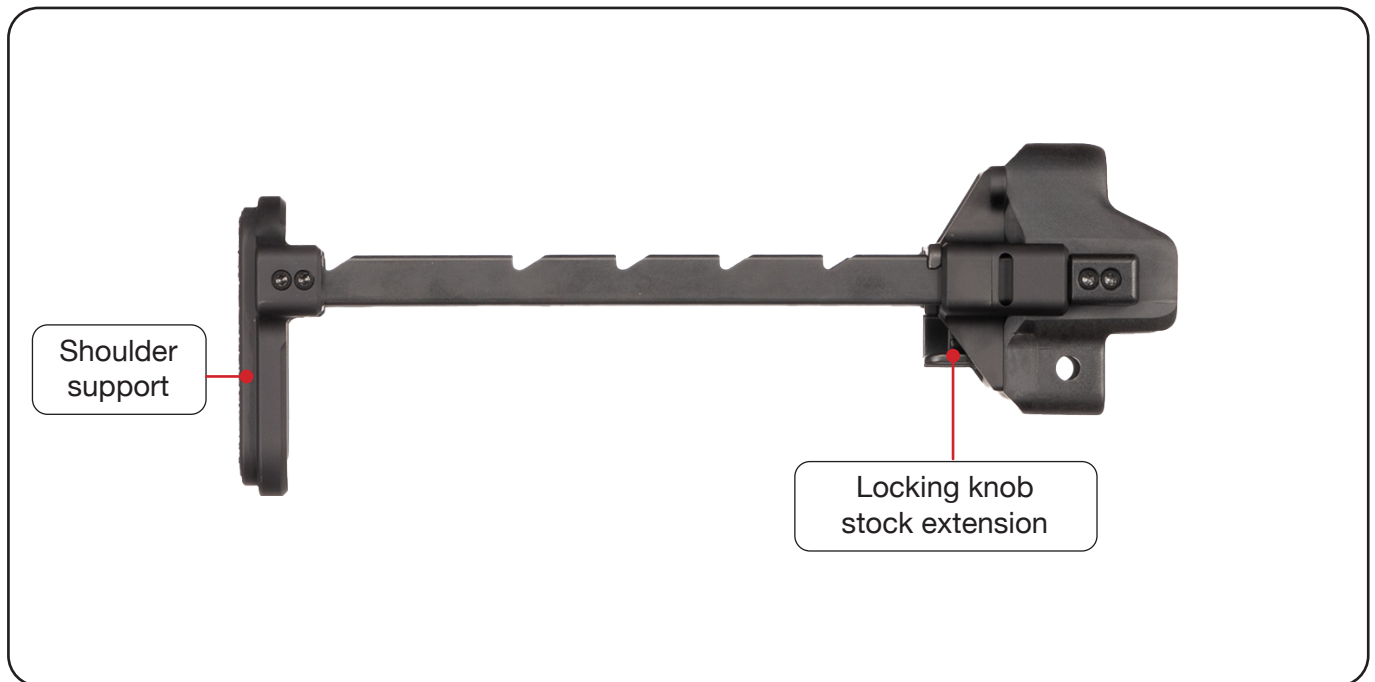
1. Technical data	4
2. Nomenclature.....	5
2.1 Telescopic stock MP5.....	5
2.2 Telescopic stock MP5K	5
3. Dimensions	6
3.1 Telescopic stock MP5.....	6
3.2 Telescopic stock MP5K	6
4. Mounting.....	7
5. Dismounting.....	8
6. Operating the stock	9
6.1 Retracting the stock	9
6.2 Extracting the stock.....	9
7. Warranty statement	10

1. Technical data

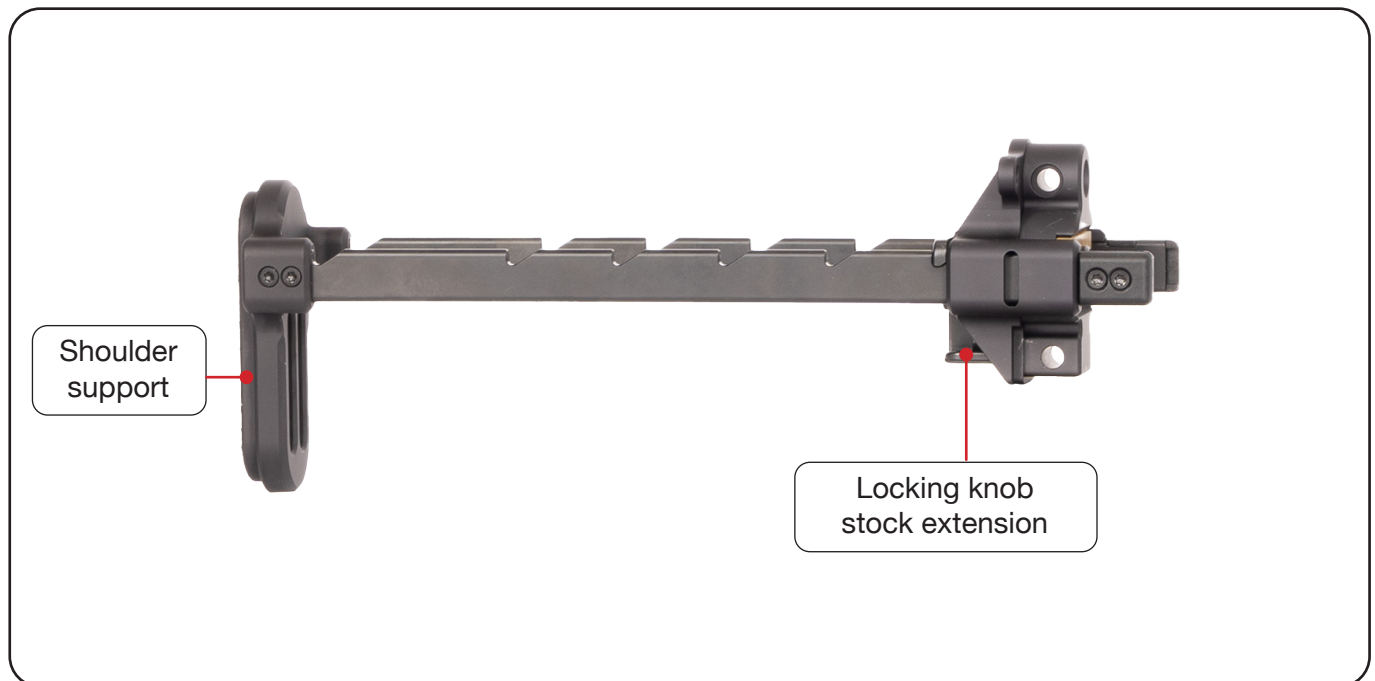
Designation	Telescopic stock for MP5	Telescopic stock for MP5K
Product ID	BT-200590	BT-200598
Weapon	HK MP5	MP5K
Weight [g]	513	494
Length 1 (Stock retracted) [mm]	68	56
Length 2/3/4 [mm]	123/153/183	142/172/202
Length 5 (Stock extracted) [mm]	243 mm	232 mm
Width [mm]	59	
Material	Aluminum	
Surface treatment	Hartcoat anodized	
Color	Black	
Mounting	Original weapon mounting points	

2. Nomenclature

2.1 Telescopic stock MP5

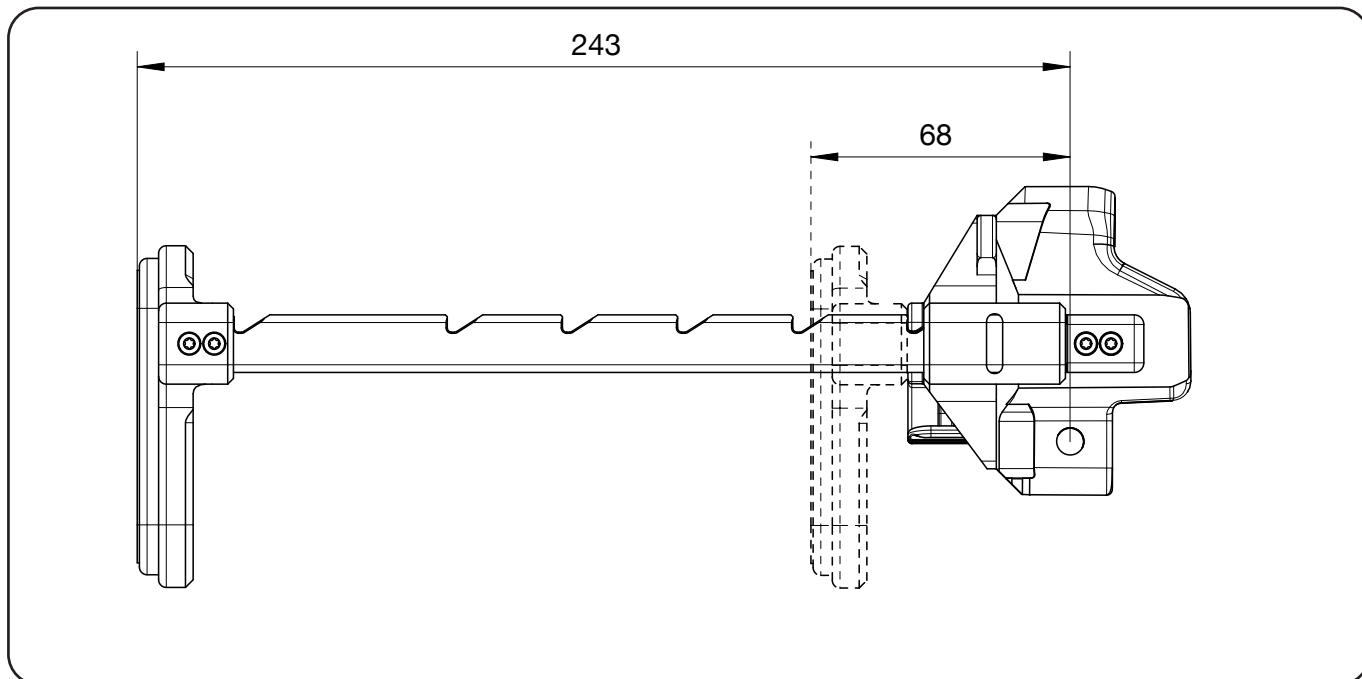


2.2 Telescopic stock MP5K

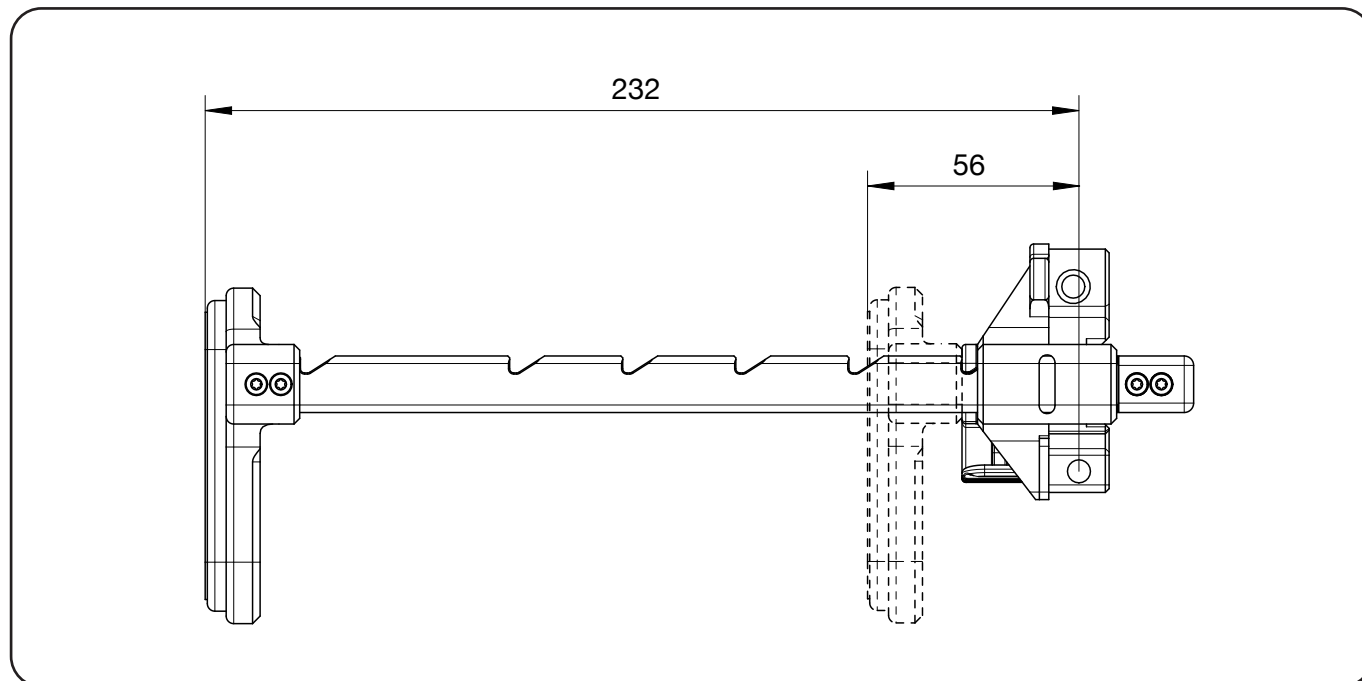


3. Dimensions

3.1 Telescopic stock MP5

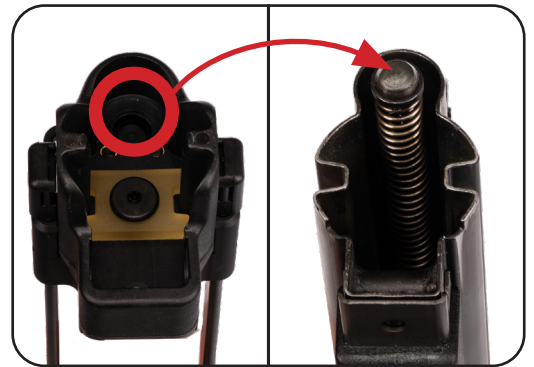


3.2 Telescopic stock MP5K

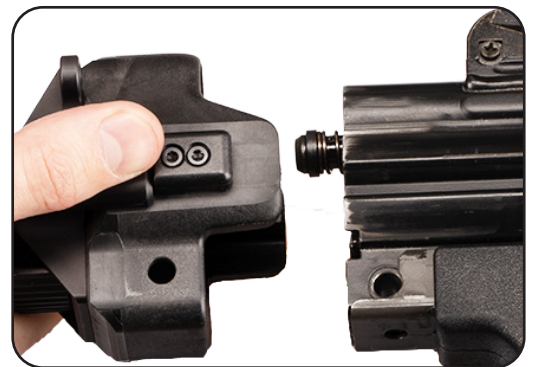


4. Mounting

- a. The spring must be positioned in the upper part of the center of the receiver.



- b. Hold the receiver with one hand. Use the other hand to insert the stock into the receiver.



- c. Insert the stock into the receiver as far as it will go. The hole of the receiver and the stock must be concentrically superimposed.



- d. Install the takedown pin (two pins are present on the MP5K) with the spring in front. Push the takedown pin through the receiver until the spring comes out on the opposite side and locks the stock.



5. Dismounting

Advice!



If the bolt is not closed, the spring is tensioned and may pop out when removing the stock.

- a. Close the bolt in order to relax the spring.
- b. Slide the takedown pin into the receiver from the side with the groove.



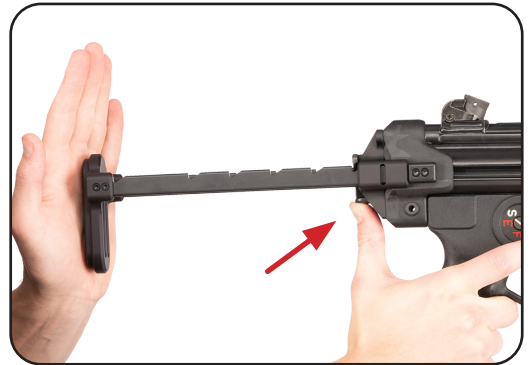
- c. Pull the stock out of the receiver.



6. Operating the stock

6.1 Retracting the stock

- a. Hold the weapon with the firing hand on the pistol grip.
- b. Push the locking knob with the thumb of the firing hand, and push in the stock.



- c. Push in the stock until it reaches the end position and locks audibly in place.



6.2 Extracting the stock

- a. Hold the weapon with the firing hand on the pistol grip.
- b. Pull out the stock with the non firing hand.



- c. Pull out the stock until it reaches the desired position.
- d. Check proper retention of the stock in extracted position.



7. Warranty statement

Warranty claims on behalf of the Client are to be explicitly declared as such. During the legal warranty period, B&T provides warranty cover solely for defects that arise as a result of faulty materials, construction errors or poor workmanship. If a warranty claim is justified, B&T will, at its own discretion, either repair or replace the defective good. Costs incurred in transporting the defective good to B&T are borne by the Client. Spare parts fitted and replaced become the property of B&T.

Inasmuch as is legally permitted, any other liability of B&T is excluded, in particular liability for damages arising either directly or indirectly from the delivered good itself, from its use or from its defects.

Merchandise is covered by the warranty provisions of the manufacturer. Parts that are naturally subject to wear and tear, damage arising from insufficient maintenance work, noncompliance with operating regulations and cases of force majeure are all excluded from warranty cover. Warranty claims lapse if the Client itself or third parties alter or repair the delivered good without the prior written consent of B&T. All product specifications are subject to change without prior notice. Published data are mean values and therefore not suitable acceptance criteria.

The manufacturer :

B&T AG - 3608 Thun - Switzerland

Phone +41 33 334 67 00

e-mail: info@bt-ag.com

Notes:

