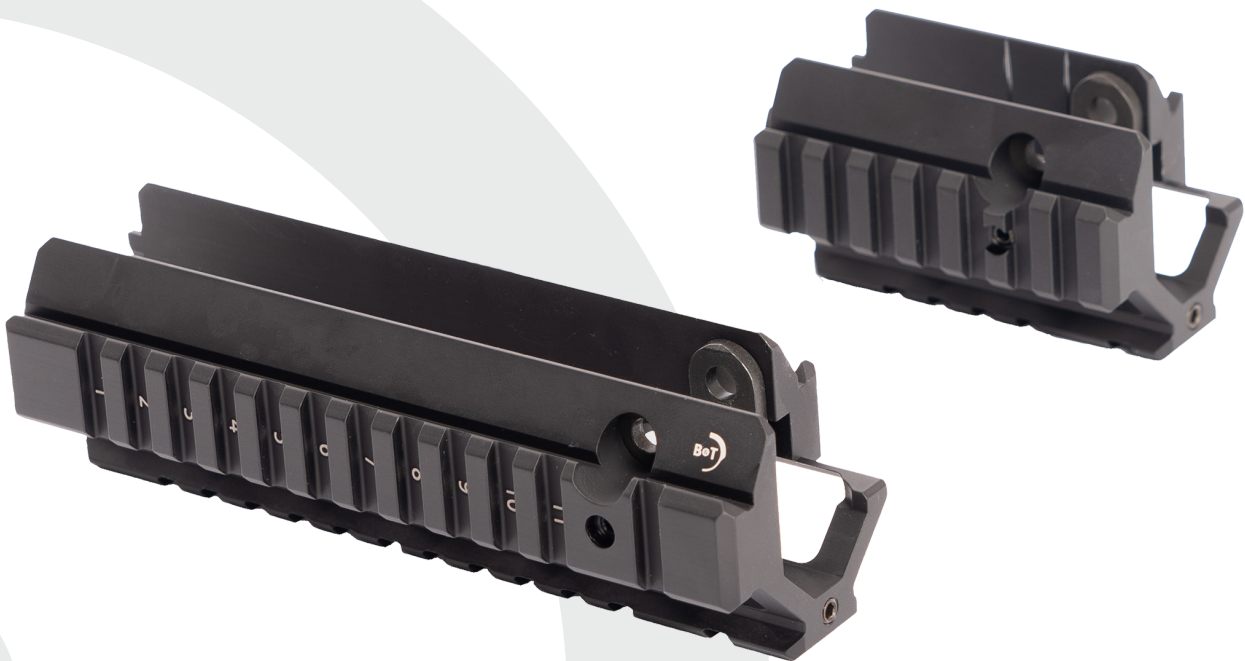


# HANDGUARD MP5

## OPERATOR MANUAL




B&T AG  
3608 Thun • Switzerland  
Tel. +41 33 334 67 00  
info@bt-ag.ch  
www.bt-ag.ch


## Table of Contents:

1. Technical data .....	2
2. Nomenclature.....	3
2.1 HK MP5 .....	3
2.2 HK MP5-K.....	3
3. Removing the original handguard.....	3
4. Installation.....	4
5. Removing.....	5
6. Warranty statement.....	6

## Definition

Left / right side:                      Defined looking in firing direction.

<b>Note</b>	
	The weapon/handguard shown here may not be identical with your weapon/handguard. However, the installation is analogous.

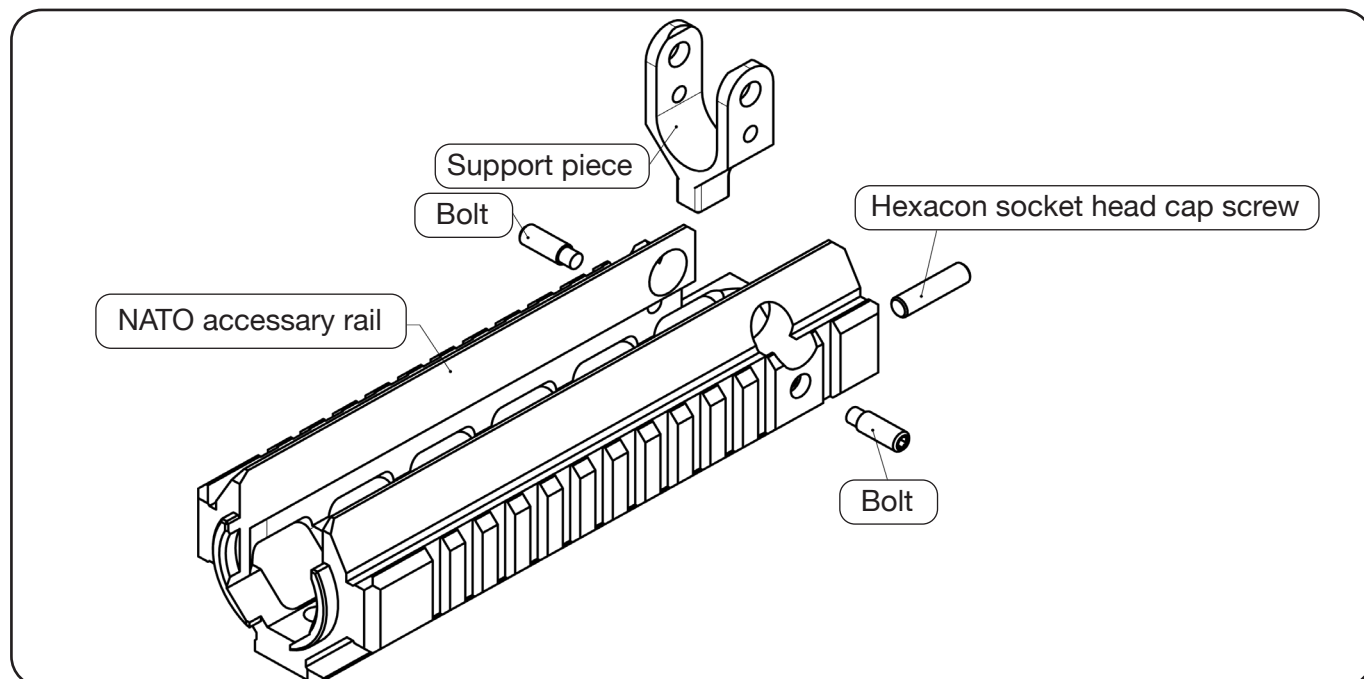
<b>Note</b>	
	Required tool: Socket wrench (metric size 2.5)

## 1. Technical data

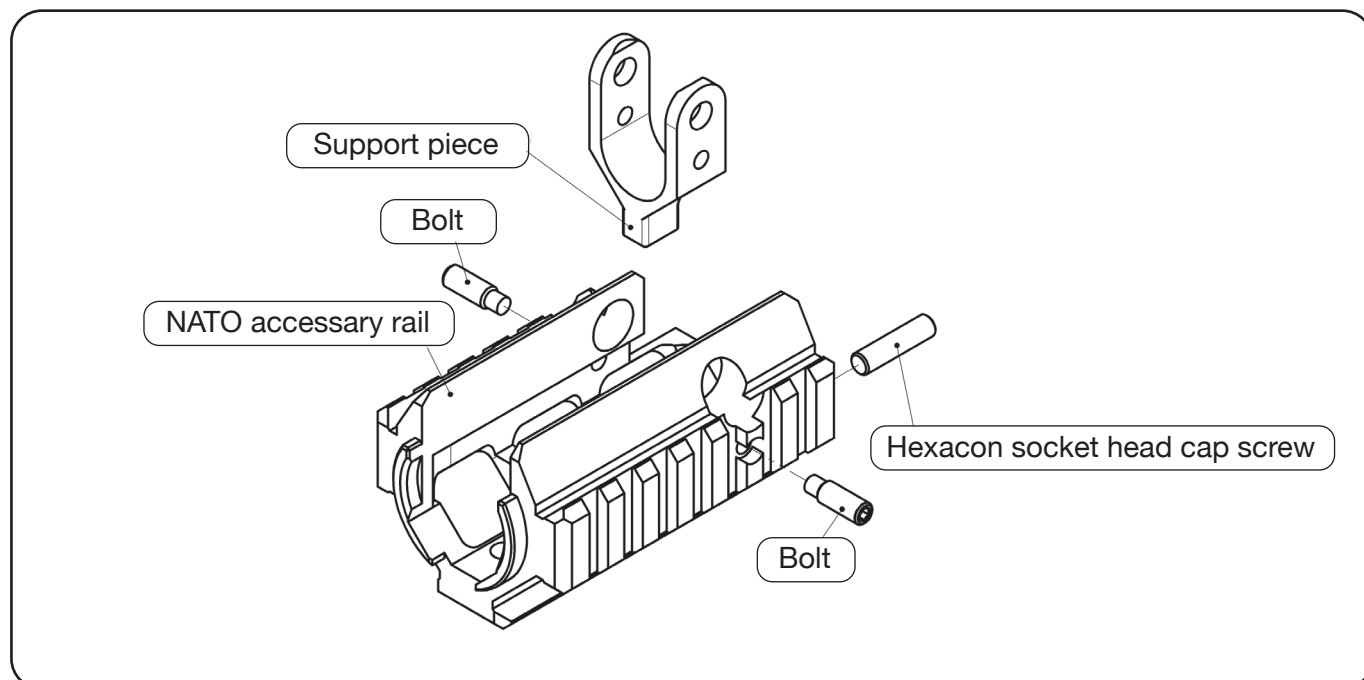
Designation	Handguard HK MP5	Handguard HK MP5K
Article ID	BT-21358	BT-21573
Weapon	HK MP5	MP5-K
Rails	3	
Rail pattern	NATO accessory rail STANAG 4694	
Length of lateral right rail	158 mm	85 mm
Length of lateral left rail	140 mm	67 mm
Length of bottom rail	158 mm	85 mm
Width maximum	56 mm	
Height maximum	49 mm	
Weight	278 g	162 g
Material	Aluminium	
Treatment	Hartcoat anodized	
Color	Black	
Mounting	Original weapon mounting points	

## 2. Nomenclature

### 2.1 HK MP5



### 2.2 HK MP5-K

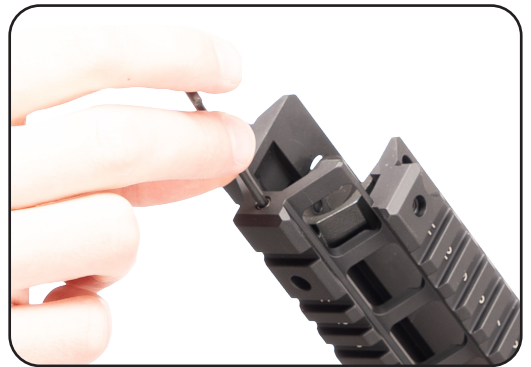


## 3. Removing the original handguard

- a. Remove the original handguard according to the HK MP5 / HK MP5-K operating manual.

## 4. Installation

- a. Unscrew the hexagon socket head cap screw until the support piece is fully moveable.



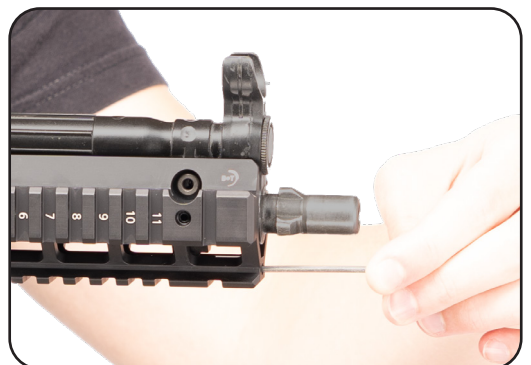
- b. Plug the back of the handguard into the receiver.



- c. Plug in the bolt to fix the handguard onto the weapon.  
Ensure the proper fit on the handguard.



- d. Screw on the hexagon socket head cap screw and tighten fit.



## 5. Removing

a. Loosen the hexagon socket head cap screw.



b. Loosen the hexagon socket head cap screw.



c. Detach the handguard.



## 6. Warranty statement

Warranty claims on behalf of the Client are to be explicitly declared as such. During the legal warranty period, B&T provides warranty cover solely for defects that arise as a result of faulty materials, construction errors or poor workmanship. If a warranty claim is justified, B&T will, at its own discretion, either repair or replace the defective good. Costs incurred in transporting the defective good to B&T are borne by the Client. Spare parts fitted and replaced become the property of B&T.

Inasmuch as is legally permitted, any other liability of B&T is excluded, in particular liability for damages arising either directly or indirectly from the delivered good itself, from its use or from its defects.

Merchandise is covered by the warranty provisions of the manufacturer. Parts that are naturally subject to wear and tear, damage arising from insufficient maintenance work, noncompliance with operating regulations and cases of force majeure are all excluded from warranty cover. Warranty claims lapse if the Client itself or third parties alter or repair the delivered good without the prior written consent of B&T. All product specifications are subject to change without prior notice. Published data are mean values and therefore not suitable acceptance criteria.

The manufacturer:

B&T AG - 3608 Thun - Switzerland

Tel +41 33 334 67 00

e-mail: [info@bt-ag.com](mailto:info@bt-ag.com)