

INSTALLATION UNIGRIP WITH INTEGRATED BIPOD

OPERATOR MANUAL



B&T AG
3608 Thun • Switzerland
Tel +41 33 334 67 00
info@bt-ag.ch
www.bt-ag.ch

Table of Contents:

1. General technical data	3
1.1 Technical data.....	4
2. Nomenclature.....	4
3. Installation.....	5
4. Operations	6
5.1 Opening.....	6
5.2 Closing.....	6
5. Removing.....	6
6. Operations	7
7. Warranty statement.....	8

Definition

Left / right side: Defined looking in firing direction.

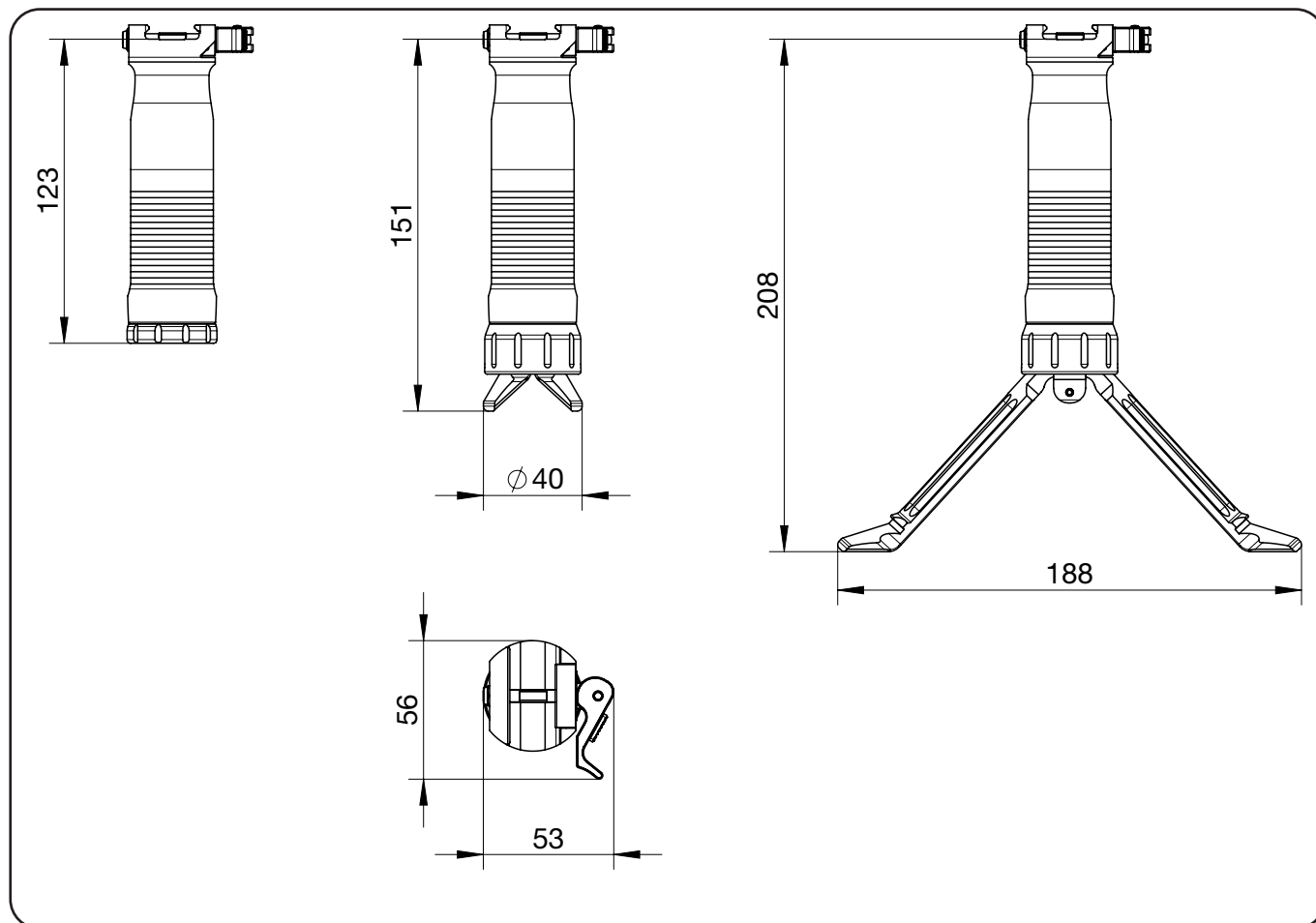
1. General technical data

Weapon	All with bottom STANAG 4694 NATO accessory rail	
Attachment	Quick detach mount with safety	
Permissible load	100 N	
Height [mm]	with legs extended	247
	with legs retracted	179
Width [mm]	with legs extended	233
	with legs retracted	170
	with legs retracted and in hinged position	67
Length [mm]	with legs collapsed	72
	With legs in hinged position	214
Leg length [mm]	with legs extended	203
	with legs retracted	128
Weight [g]	246	
Material	Quick detach mount	Stainless steel
Treatment	Zinc flake coating	

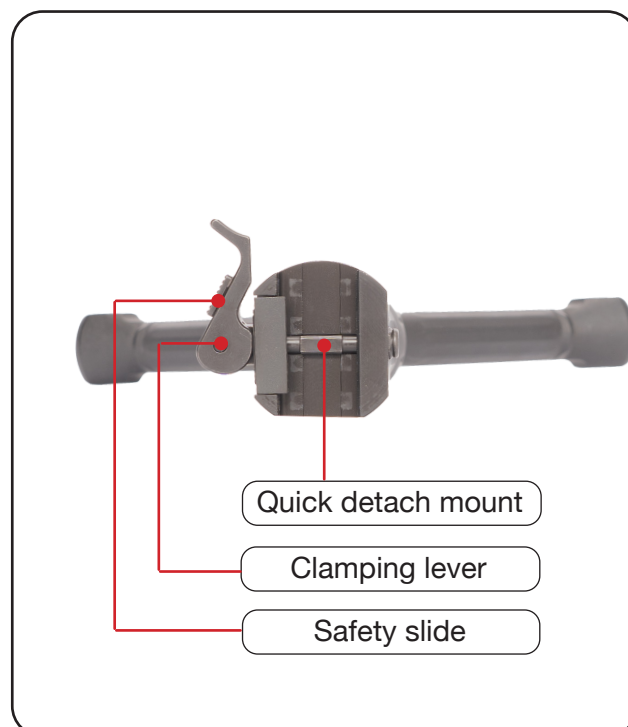
Product ID	Color	Material	
		Grip	Feet
BT-21830-B*	Black	Polymer	Aluminum
BT-21830-BK-HK*			
BT-21830-BK		Aluminum	
BT-21830-UK			
BT-21830-CT	Coyote Tan	Polymer	
BT-21830-NL			

*Rotation limit to +15°/-15°

1.1 Technical data



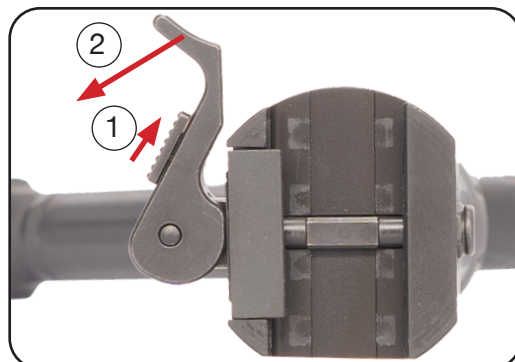
2. Nomenclature



3. Installation

All operations can be executed without tools.

1. Slide the safety slide forward.
2. Open the clamping lever.



3. Place the Unigrip on the accessory rail with the V-shaped recess.
 - » Mostly from the right in the direction of shooting.



4. Close the lever to hold the assembly in place.
 - » The lock shall snap audibly in place.

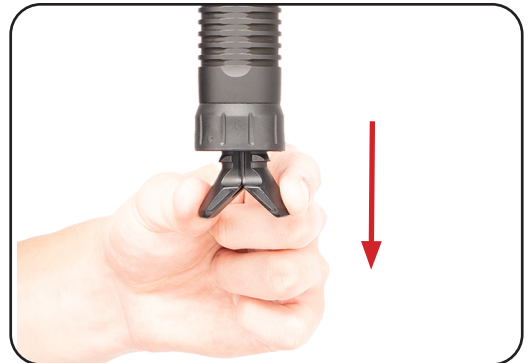


4. Operations

All operations can be executed without tools.

5.1 Opening

1. Pull the legs out of the Unigrip in order to use the Bipod.



5.2 Closing

1. Press the legs together.
2. Push the legs in the Unigrip.



5. Removing

1. In order to release the assembly, slide the lock toward the end of the lever.
2. Release the lever



3. Remove the Unigrip from the side without the V-shaped recess.



6. Operations

All operations can be executed without tools.

1. Turn the ring of the bipod counterclockwise.



2. Pull the bipod out of the Unigrip.



3. Turn the cover clockwise.



7. Warranty statement

Warranty claims on behalf of the Client are to be explicitly declared as such. During the legal warranty period, B&T provides warranty cover solely for defects that arise as a result of faulty materials, construction errors or poor workmanship. If a warranty claim is justified, B&T will, at its own discretion, either repair or replace the defective good. Costs incurred in transporting the defective good to B&T are borne by the Client. Spare parts fitted and replaced become the property of B&T.

Inasmuch as is legally permitted, any other liability of B&T is excluded, in particular liability for damages arising either directly or indirectly from the delivered good itself, from its use or from its defects.

Merchandise is covered by the warranty provisions of the manufacturer. Parts that are naturally subject to wear and tear, damage arising from insufficient maintenance work, noncompliance with operating regulations and cases of force majeure are all excluded from warranty cover. Warranty claims lapse if the Client itself or third parties alter or repair the delivered good without the prior written consent of B&T. All product specifications are subject to change without prior notice. Published data are mean values and therefore not suitable acceptance criteria.

The manufacturer:

B&T AG - 3608 Thun - Switzerland

Phone +41 33 334 67 00

e-mail: info@bt-ag.com