

BIPOD WITH NAR ADAPTER

OPERATOR MANUAL



B&T AG
3608 Thun • Switzerland
Tel +41 33 334 67 00
info@bt-ag.ch
www.bt-ag.ch

Table of Contents:

1. General technical data	3
1.1 Technical data.....	3
2. Nomenclature.....	4
3. Installation.....	4
4. Operations	5
4.1 Opening.....	5
4.2 Adjustment	5
4.3 Closing.....	5
5. Removing.....	6
6. Maintenance	6
7. Warranty statement.....	7

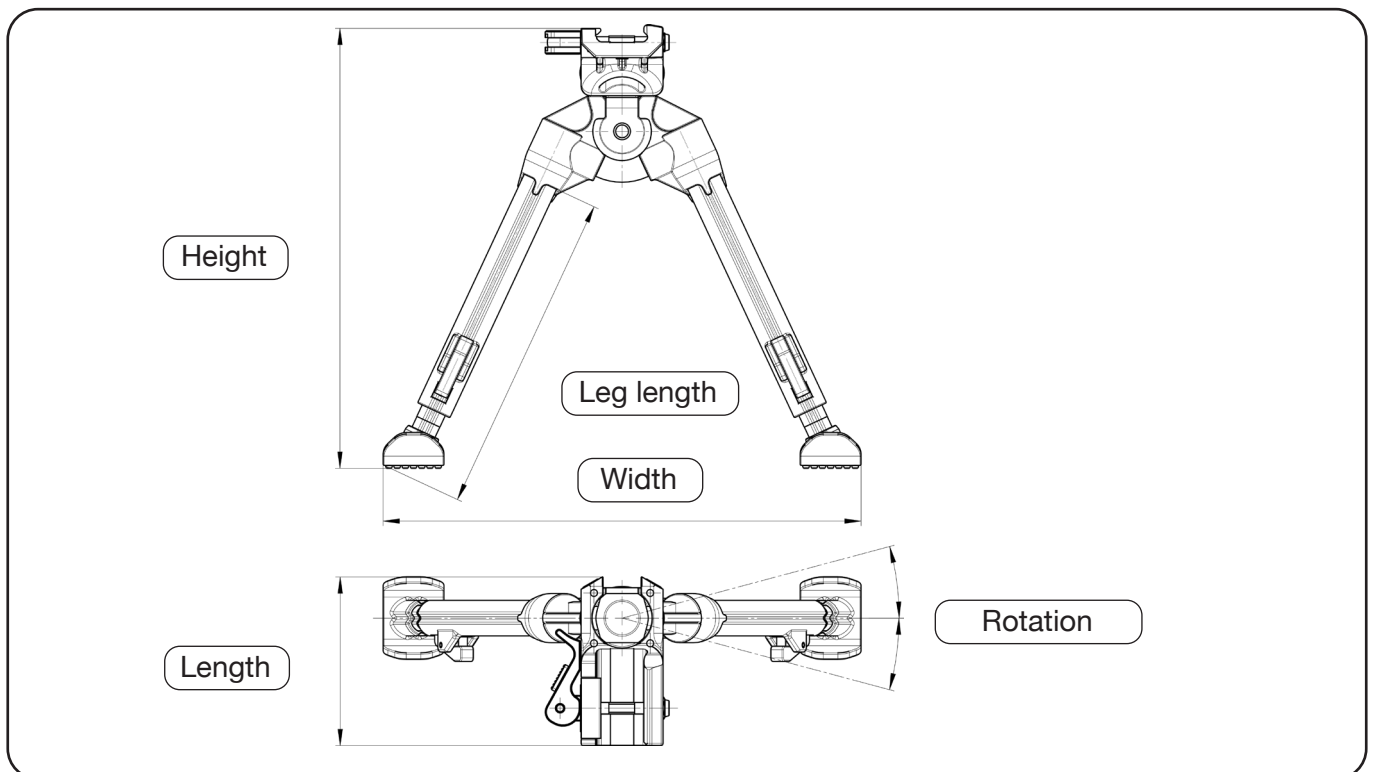
Definition

Left / right side: Defined looking in firing direction.

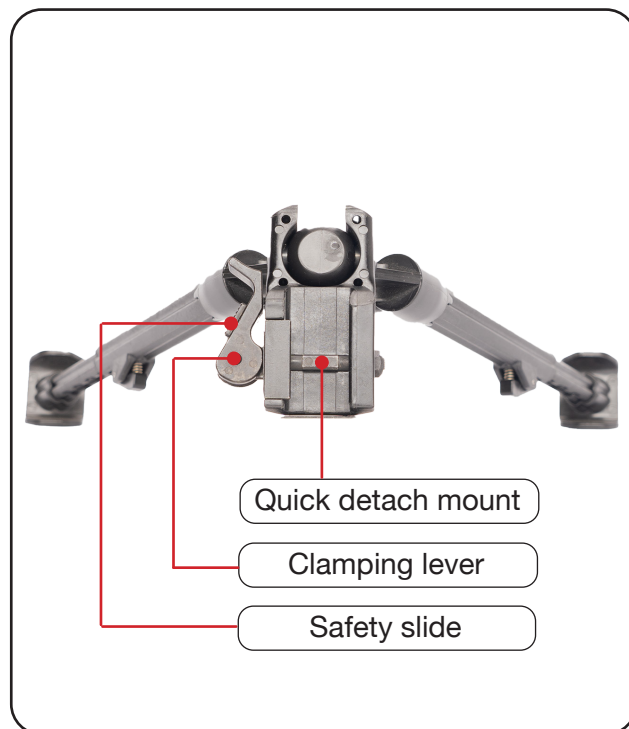
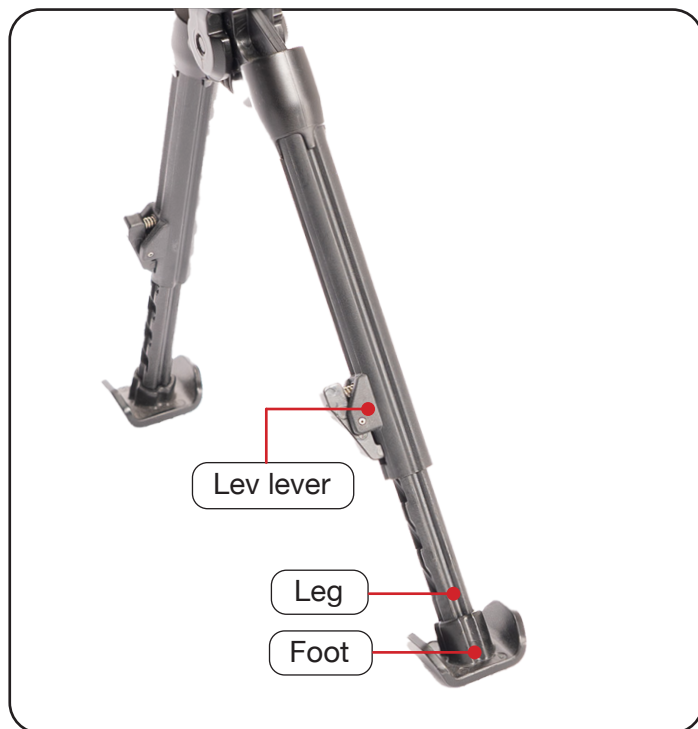
1. General technical data

Weapon	All with bottom STANAG 4694 NATO accessory rail	
Product ID	BT-22297-B (Black)	BT-22297-CT (Coyote Tan)
Attachment	Quick detach mount with safety	
Bipod rotating limitation	30° (+15° / -15°)	
Permissible load	100 N	
Height [mm]	with legs extended	247
	with legs retracted	179
Width [mm]	with legs extended	233
	with legs retracted	170
	with legs retracted and in hinged position	67
Length [mm]	with legs collapsed	72
	With legs in hinged position	214
Leg length [mm]	with legs extended	203
	with legs retracted	128
Weight [g]	246	
Material	Quick detach mount	Stainless steel
	Bipod	Polymer
	Feet	Polymer
Treatment	Zinc flake coating	
Color	Black	

1.1 Technical data



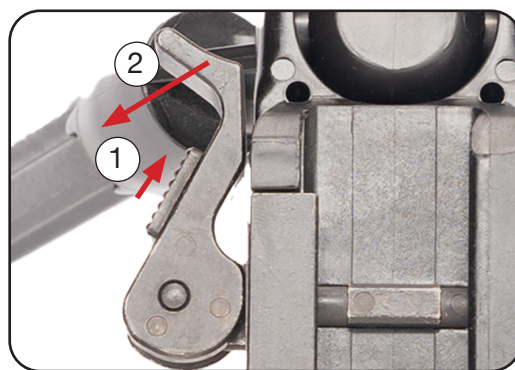
2. Nomenclature



3. Installation

All operations can be executed without tools.

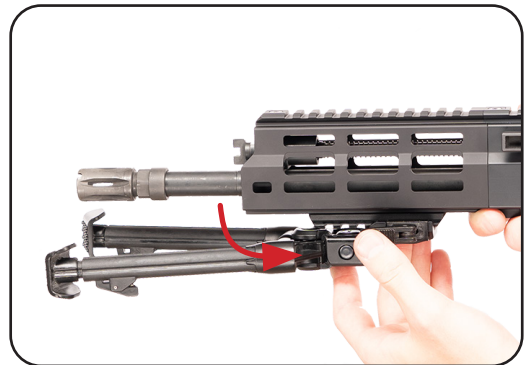
1. Slide the safety slide forward.
2. Open the clamping lever.



3. Place the bipod on the accessory rail with the V-shaped recess.
 - » Mostly from the right in the direction of shooting.



4. Close the lever to hold the assembly in place.
 - » The lock shall snap audibly in place.

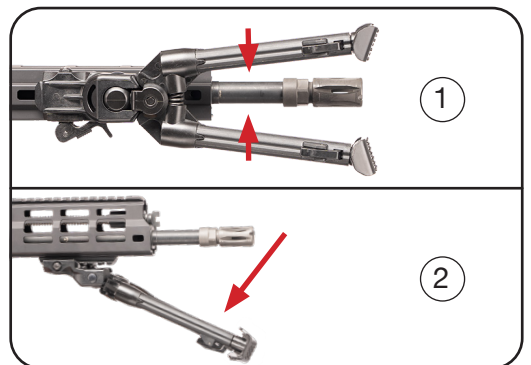


4. Operations

All operations can be executed without tools.

4.1 Opening

1. Press the legs together.
2. Rotate the legs downwards.



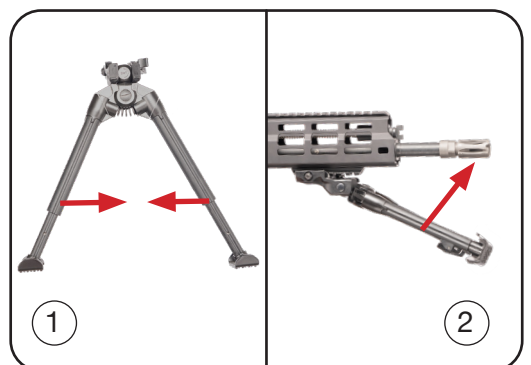
4.2 Adjustment

1. Pull the leg to extend the bipod.
2. Press the leg lever to retract the bipod.



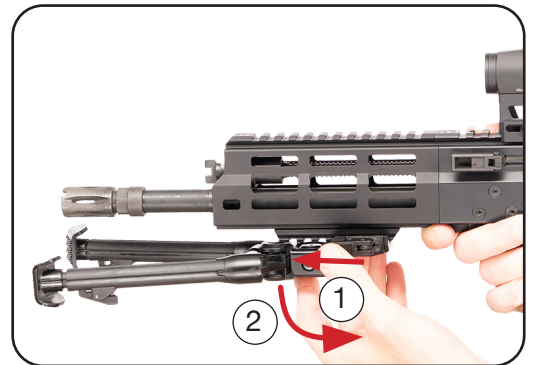
4.3 Closing

1. Press the legs together.
2. Rotate the legs upwards.



5. Removing

1. In order to release the assembly, slide the lock toward the end of the lever.
2. Release the lever.



3. Remove the bipod from the side without the V-shaped recess.



6. Maintenance

1. Manual cleaning with water and soap detergent.
2. Apply light film of oil on metallic parts.

7. Warranty statement

Warranty claims on behalf of the Client are to be explicitly declared as such. During the legal warranty period, B&T provides warranty cover solely for defects that arise as a result of faulty materials, construction errors or poor workmanship. If a warranty claim is justified, B&T will, at its own discretion, either repair or replace the defective good. Costs incurred in transporting the defective good to B&T are borne by the Client. Spare parts fitted and replaced become the property of B&T.

Inasmuch as is legally permitted, any other liability of B&T is excluded, in particular liability for damages arising either directly or indirectly from the delivered good itself, from its use or from its defects.

Merchandise is covered by the warranty provisions of the manufacturer. Parts that are naturally subject to wear and tear, damage arising from insufficient maintenance work, noncompliance with operating regulations and cases of force majeure are all excluded from warranty cover. Warranty claims lapse if the Client itself or third parties alter or repair the delivered good without the prior written consent of B&T. All product specifications are subject to change without prior notice. Published data are mean values and therefore not suitable acceptance criteria.

The manufacturer:

B&T AG - 3608 Thun - Switzerland

Tel +41 33 334 67 00

e-mail: info@bt-ag.com

Notes:

